

Barudan

HIGH SPEED AUTOMATIC EMBROIDERY MACHINE

BEVT - Z1201C/Z1501C

PARTS LIST

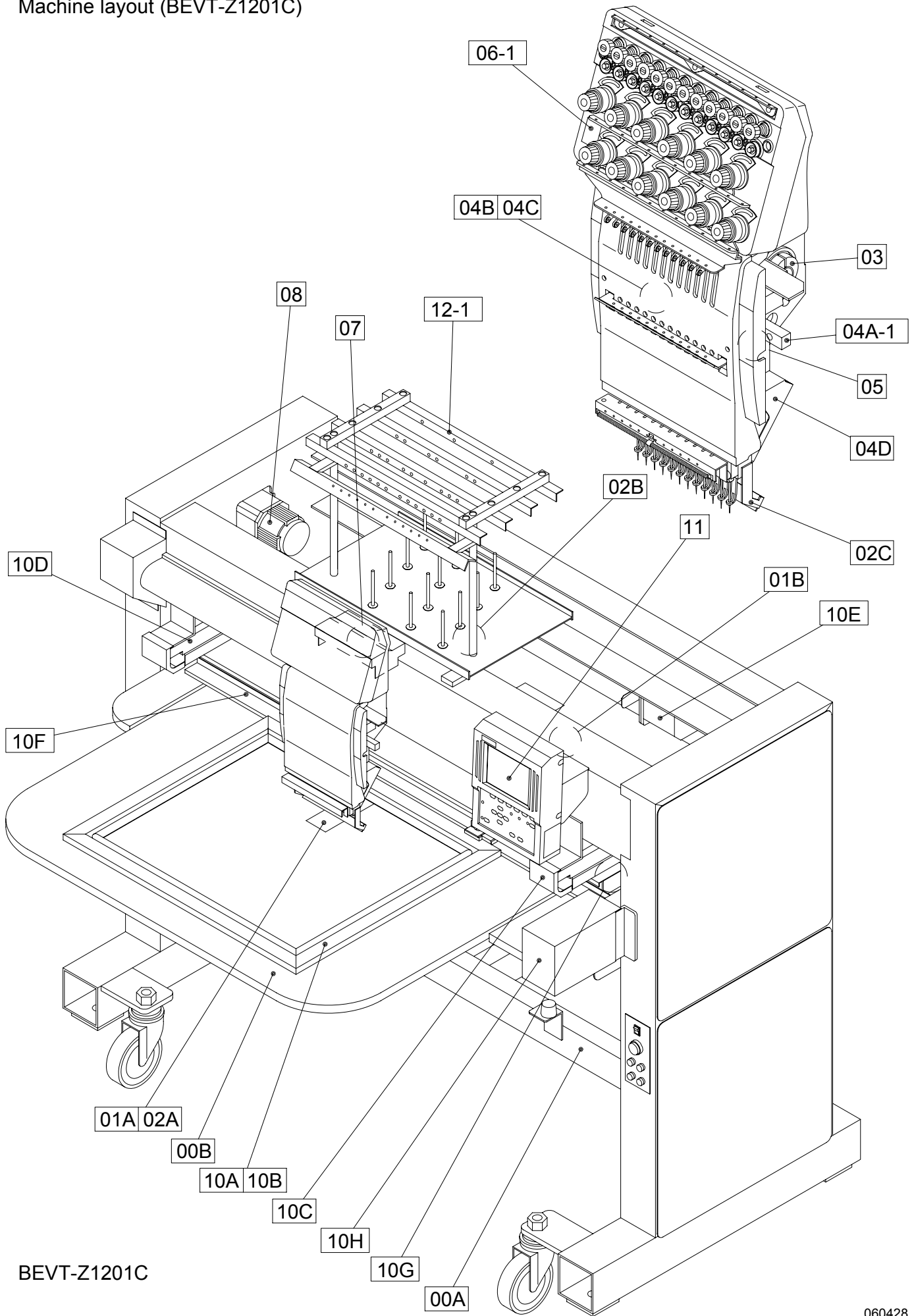
BEVT - Z1201C/Z1501C

HIGH SPEED AUTOMATIC EMBROIDERY MACHINE

CONTENTS

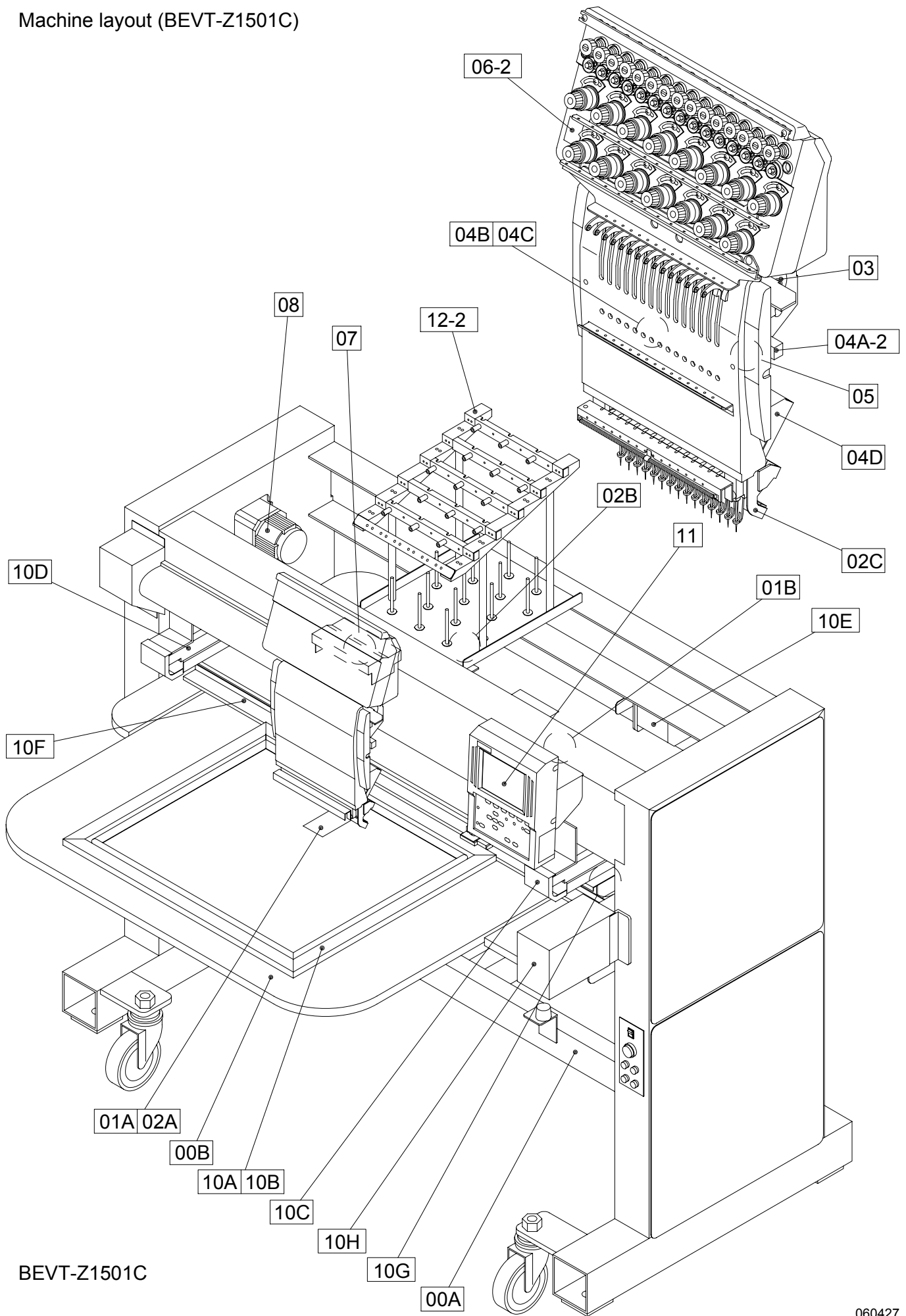
	Machine layout (BEVT)	06-1	Thread guide(Z12)
00A	Table· Frame A	06-2	Thread guide(Z15)
00B	Table· Frame B	07	Color change
01A	Head· Bed A	08	Drive
01B	Head· Bed B	10A	Pantograph drive A
02A	Thread cut A	10B	Pantograph drive B
02B	Thread cut B	10C	Pantograph drive C
02C	Thread cut C	10D	Pantograph drive D
03	Take up lever	10E	Pantograph drive E
04A-1	Needle bar A(Z12)	10F	Pantograph drive F
04A-2	Needle bar A(Z15)	10G	Pantograph drive G
04B	Needle bar B	10H	Pantograph drive H
04C	Needle bar C	11	Control
04D	Needle bar D	12-1	Accessories(Z12)
05	Jump	12-2	Accessories(Z15)

Machine layout (BEVT-Z1201C)



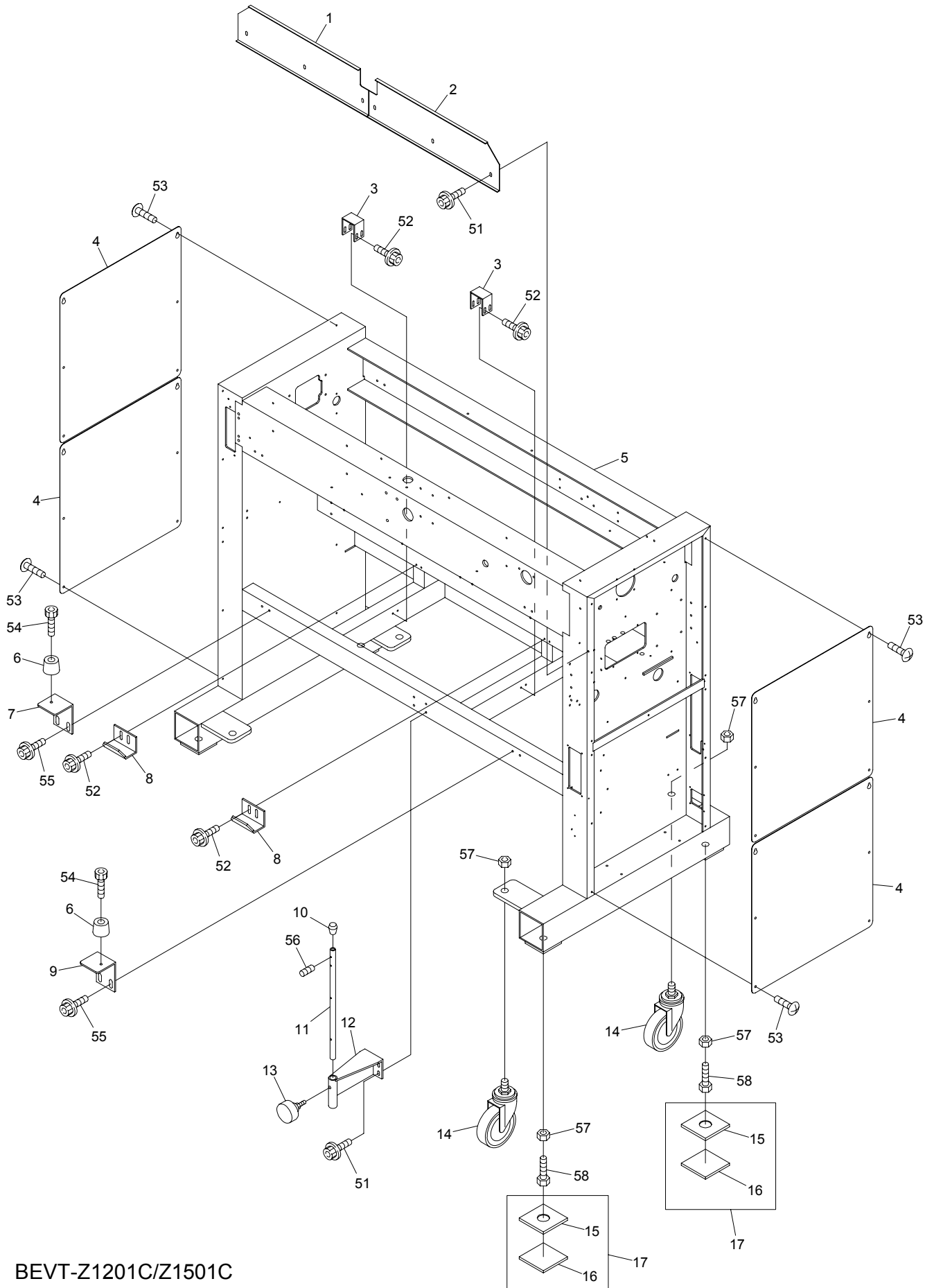
BEVT-Z1201C

Machine layout (BEVT-Z1501C)



BEVT-Z1501C

00A Table-Frame A

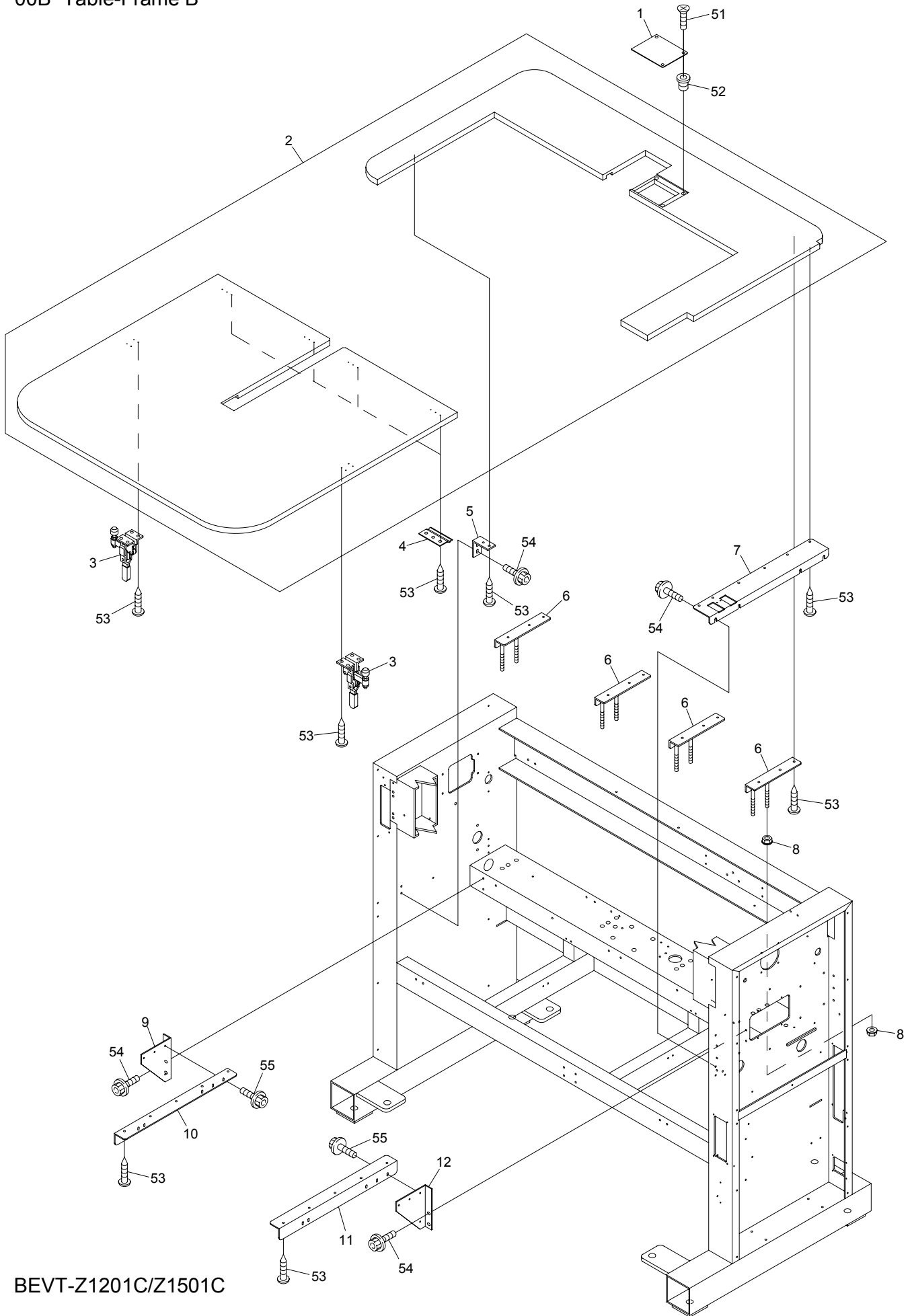


BEVT-Z1201C/Z1501C

00A Table • Frame A

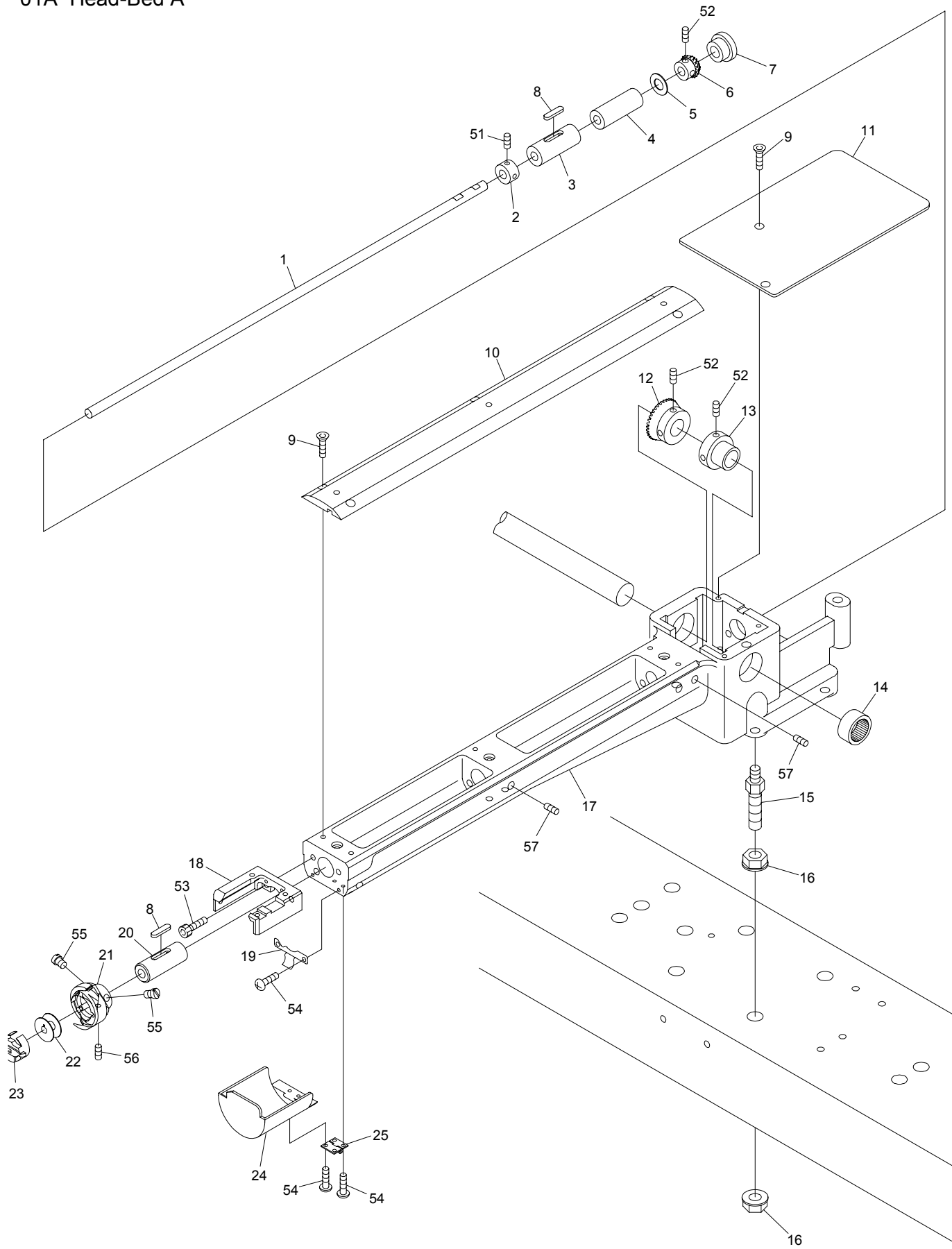
ITEM	LIST No.	DESCRIPTION	Q' TY	NOTE
1	SJ140050	Oil store(L) DYHE P=520	1	
2	SJ140040	Oil store(R) DYHE P=520	1	
3	SC140130	Table bracket	2	
4	SJ160040	Frame cover(DTHE)	4	
5	MM160071	Frame BEVT-Z1201C 450×520/520	1	
	MM160001	Frame BEVT-Z1501C 450×520/520	1	
6	A9014163	Color rubber foot(C-30-FRB-3225)	2	
7	SC140170	Support table catch stay(L)	1	
8	SC140120	Table stopper	2	
9	SC140160	Support table catch stay(R)	1	
10	A9014161	Rubber foot for pipes(C-31-5)	1	
11	SJ140120C	Table stand(DYHE)	1	
12	SJ140130	Table stand bracket(DYHE-C)	1	
13	SJ140220	Table stand fixed knob bolt	1	
14	A9019077	Caster(STT-125GU M20×40)	4	
15	SC160010	Mount base(Compact machine)	4	
16	SC160020	Vibroisolating pad(Compact machine)	4	
17	SC160030	Mount base a'ssy(Compact machine)	4	
51		Hex.socket flange bolt M6×12(Chromate)		
52		Hex.socket flange bolt M5×10(Chromate)		
53		Truss screw M5×10		
54		Hex.socket bolt M5×15(With adhesive) Black(Screw lock red)		
55		Hex.socket flange bolt M5×12		
56		Hex.socket set screw M5×20		
57		Hex.nut M20		
58		Hex.bolt M20×75		

00B Table-Frame B



BEVT-Z1201C/Z1501C

01A Head-Bed A

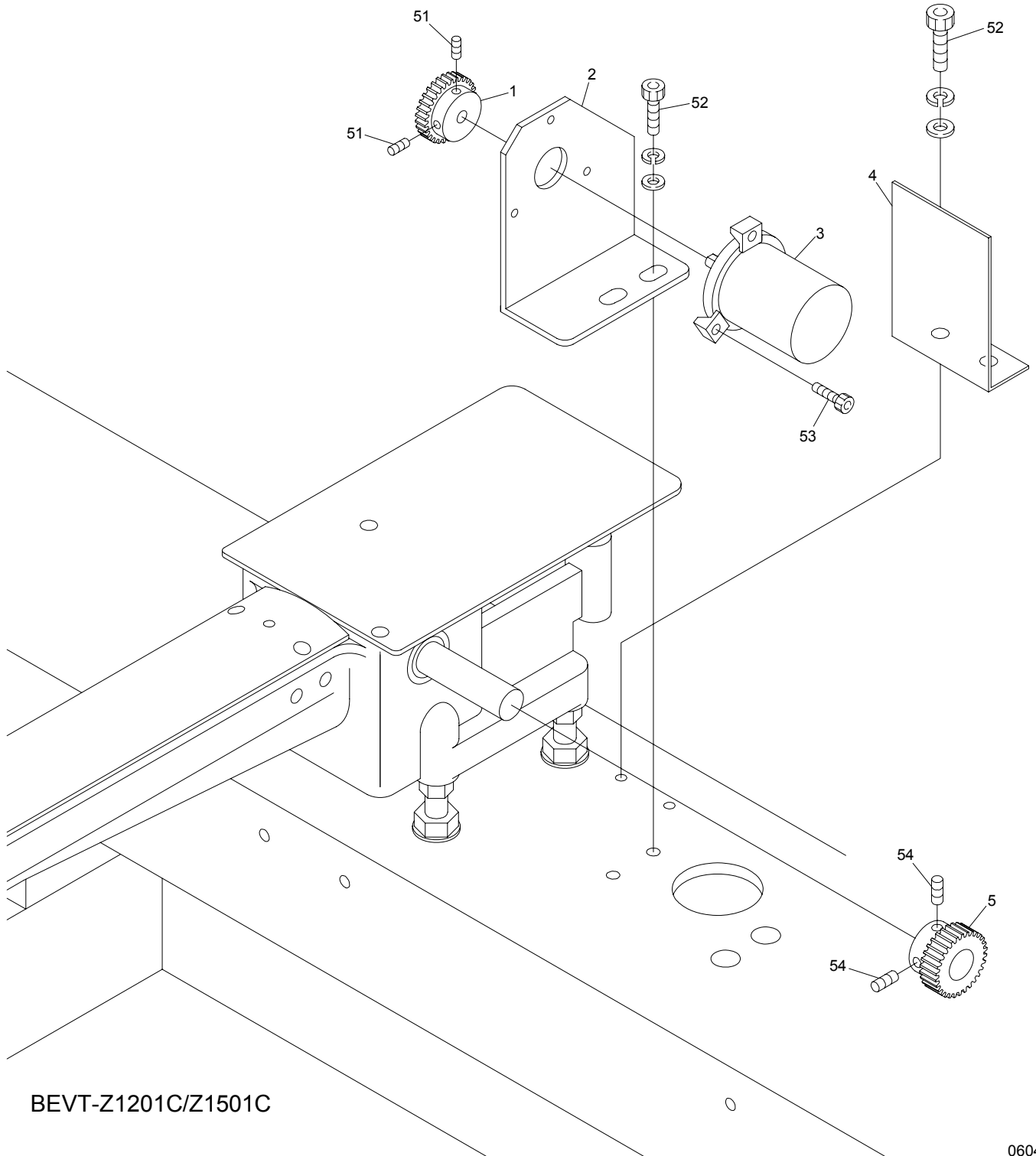


BEVY-Y9C BEDSHE-ZQ-BS BEVS-Z12C/Z15C BEVY-Z12C/Z15C BEDLHE-Z12/ZQ-C

01A Head - Bed A

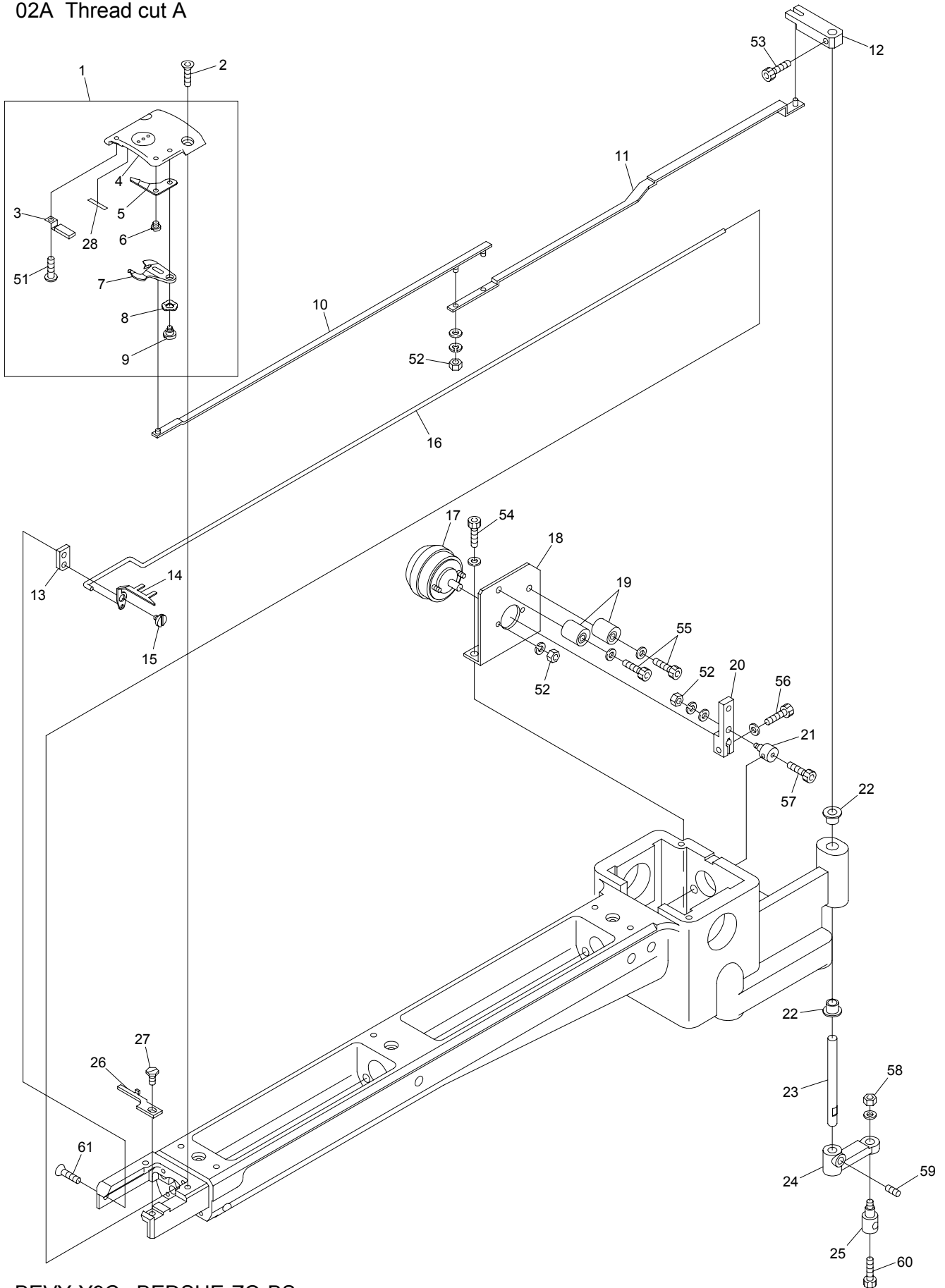
ITEM	LIST No.	DESCRIPTION	Q' TY	NOTE
1	HS210021	Lower shaft	1	Small bobbin 小釜
	HS210020	Lower shaft	1	Middle bobbin 中釜
2	KF220290	Lower shaft collar	1	
3	KF220230	Lower shaft metal(Front)	1	
4	HS220010	Lower shaft metal(Cylinder back side)	1	
5	HT220061	Thrust washer (Lower shaft)	1	
6	SJ220010	Lower shaft gear(Small gear,Korean)	1	
7	A9014059	Gromet MG(MG-1)	1	
8	KL220140	Oil felt C(5×25×20)	2	
9	KX250080	Throat plate set screw(Hex.socket)	7	
10	SJ210120	Cylinder bed cover,correspond barrel frame	1	
11	HS210042	Bed cover	1	
12	SJ320010	Lower shaft gear(Large gear,Korean)	1	
13	HP321090	Lower shaft connecting shaft collar	1	
14	A9011111	Needle bearing(TLA-2012Z)	1	
15	SC210000	Adjust bolt	4	
16	SC210010	Adjust nut M10	8	
17	SJ210090	Bsrrel bed(Small bobbin) correspond barrel frame	1	Small bobbin 小釜
	SJ210150	Bsrrel bed R-type(Middle bobbin) correspond barrel frame	1	Middle bobbin 中釜
18	SJ210080	Throat plate base,correspond barrel frame	1	
19	KC250482	Barrel bed cover hold spring	1	
20	KF220240	Vertical shaft metal(Upper)	1	
21	KF220700	Rotating hook HSL-ATR(M1QTS)	1	Small bobbin 小釜
	KF221040	Middle bobbin for automatic feed oil HSM-A(MQ2L)	1	Middle bobbin 中釜
22	KF220530	Bobbin	1	Small bobbin 小釜
	KF220421	Bobbin (HSM)(DBM)(For aluminum,middle bobbin)	1	Middle bobbin 中釜
23	KF221020	Bobbin case(4B19-S6-BA)	1	Small bobbin 小釜
	KF220302	Bobbin case BC-DBM(Z2)-NBL5 middle bobbin	1	Middle bobbin 中釜
24	HS210031	Barrel bed cover(Short type)	1	
25	A9012027	Hinge(TH-TN-72)	1	
51		Hex.socket set screw SM1/4 40×4		
52		Hex.socket set screw M5×6		
53		Hex.socket bolt M5×15		
54		Pan screw M3×6		
55		Screw(SM11/64 40×5)		
56		Set screw(SM11/64 40×5)		

01B Head-Bed B



BEVT-Z1201C/Z1501C

02A Thread cut A



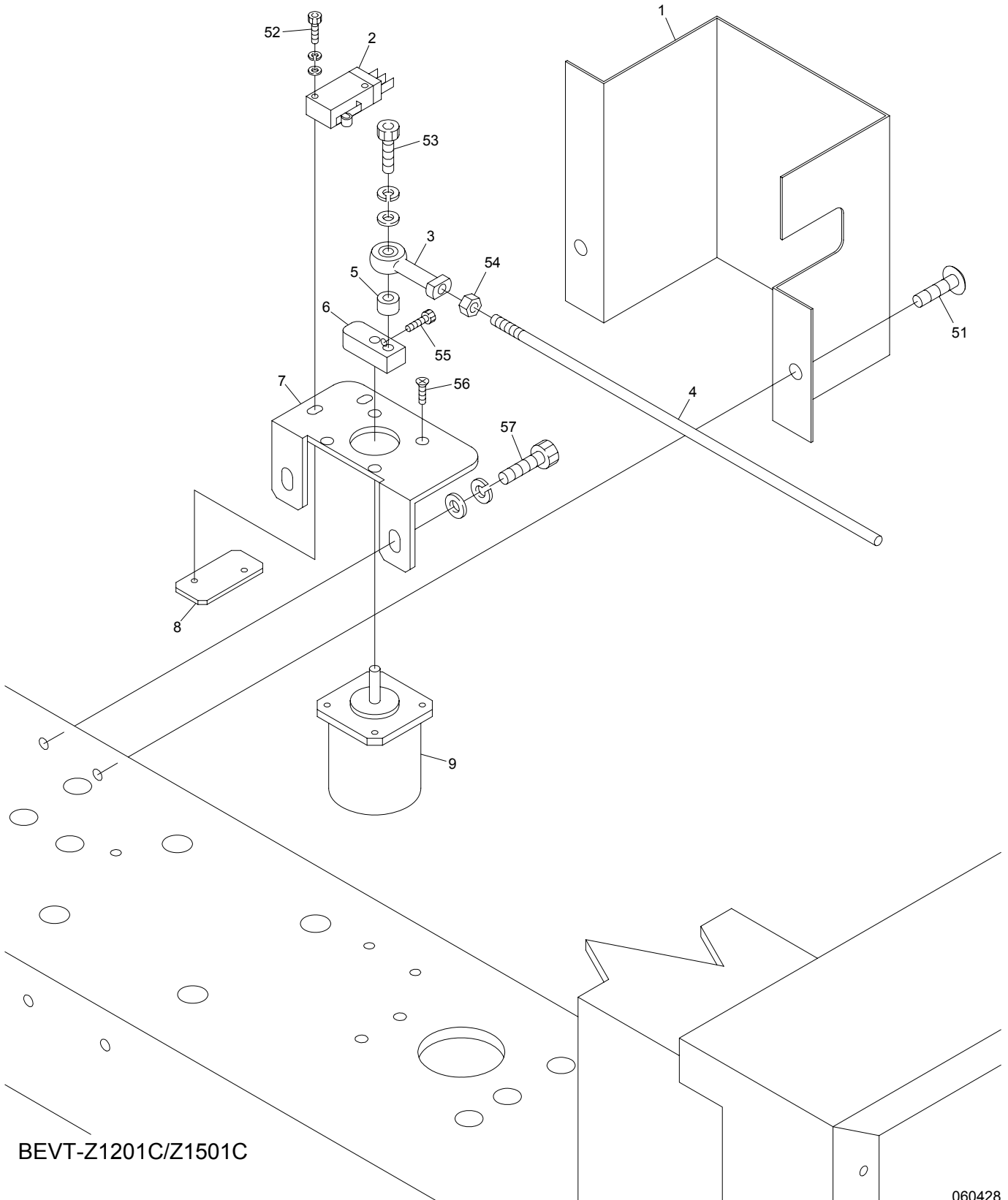
BEVY-Y9C BEDSHE-ZQ-BS

BEVS-Z12C/Z15C BEVY-Z12C/Z15C BEVT-Z1201C/Z1501C BEDLHE-Z12/ZQ-C

02A Thread cut A

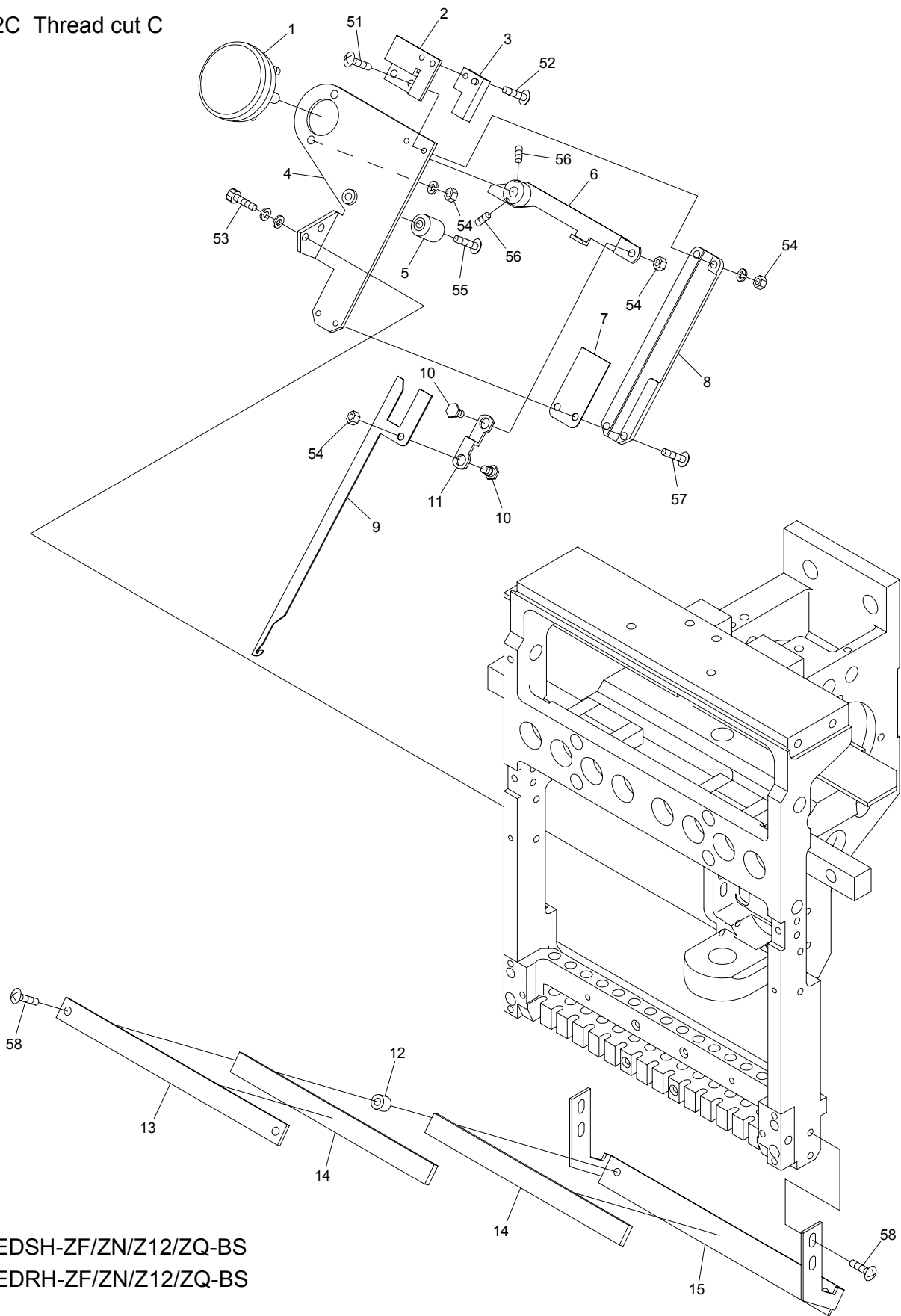
ITEM	LIST No.	DESCRIPTION	Q' TY	NOTE
1	SJ270121	Throat plate a'ssy(With lower thread support) Barrel frame correspondence	1	
2	KX250080	Throat plate set screw(Hex.socket)	2	
3	HT270182	Lower thread support stay(Cylinder) CMP	1	
4	SJ270020	Cylinder throat plate Barrel frame correspondence	1	
5	SJ270040	Fixed knife barrel frame correspondence	1	
6	KX270010	Fixed knife set screw	1	
7	SJ270030	Driving knife barrel frame correspondence	1	
8	A9013066	Wave washer(WW5)(SK)	1	
9	KN272010	Lower thread knife rotary shaft	1	
10	HS210111	Lower thread knife drive rod A	1	
11	HS210121	Lower thread knife drive rod B	1	
12	HS210100	Lower thread knife drive lever upper	1	
13	HS210051	Hook fixed stay(Short type)	1	
14	HS210300	Hook(Cylinder MK5)	1	
15	KC271001	Upper thread knife rotary shaft	1	
16	HS210070	Hook drive rod	1	
17	A9056040	Rotary solenoid 3ER25-30×3×8×9(24V)	1	
18	SJ210040	Solenoid stay(Short small bobbin)	1	
	HS210060	Solenoid stay(For middle bobbin)	1	
19	KN272401	Stopper eccentric	2	
20	KC271940C	Soleroid lever A	1	
21	HS210080	Connecting clamp	1	
22	A9011284	DU bush with flange(K5F0606-12)	2	
23	HS210090	Knife lever rotary shaft	1	
24	KN271560C	Knife lever	1	
25	HM270000	Connecting bar clamp	1	
26	KX270000	Rotating hook bobbin case holder position bracket	1	
27	KX270430	Screw(Cylinder)	1	
28	SJ270110	Lower thread support hook and loop fastener (For cylinder)	1	
51		Pan screw M3×3		
52		Hex.nut M3		
53		Hex.socket bolt M4×6		
54		Hex.socket bolt M4×8(With plain washer)		
55		Hex.socket bolt M4×18		
56		Hex.socket bolt M4×10		
57		Hex.socket bolt M3×5		
58		Hex.nut M4		
59		Hex.socket set screw M5×6		
60		Hex.socket bolt M4×8		
61		Hex.socket flush screw M4×6		

02B Thread cut B



BEVT-Z1201C/Z1501C

02C Thread cut C



BEDSH-ZF/ZN/Z12/ZQ-BS
 BEDRH-ZF/ZN/Z12/ZQ-BS

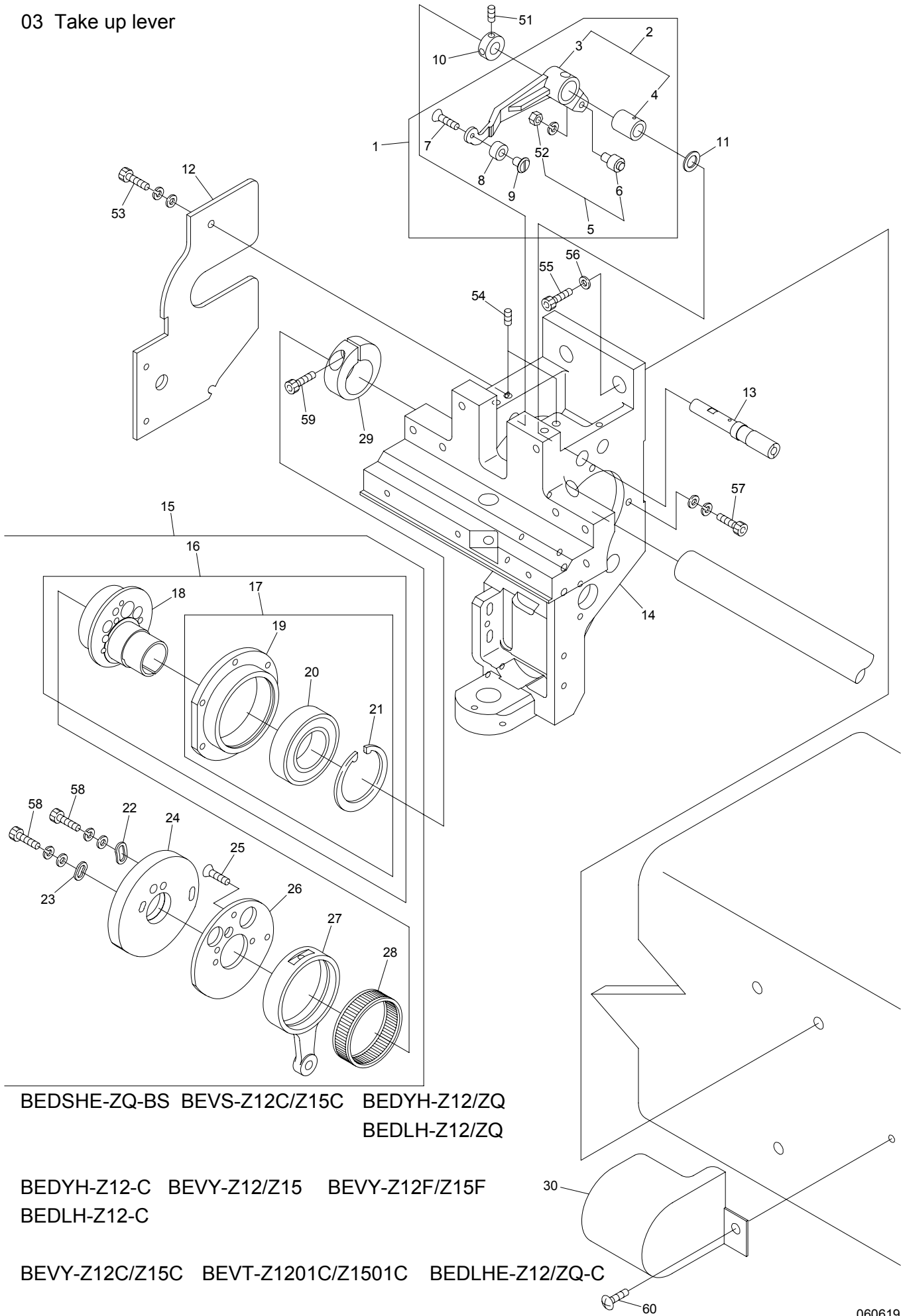
BEDSHE-ZQ-BS BEVS-Z9/Z12/Z15 BEVS-Z12C/Z15C BEDYH-Z12/ZQ BEDYH-Z12-C
 BEDLH-Z12/ZQ BEDLH-Z12-C

BEVY-Z12/Z15 BEVY-Z12F BEVY-Z12C/Z15C BEVT-Z1201C/Z1501C BEDLHE-Z12/ZQ-C

02C Thread cut C

ITEM	LIST No.	DESCRIPTION	Q' TY	NOTE
1	A9056041	Rotary solenoid 4ER45-28×3×8×9 (24V)	1	
2	KL270260C	Switch stay	1	
3	A9052028	Proximity switch(RS-603)	1	
4	SG270081	Thread away base	1	
5	KN272401	Stopper eccentric	1	
6	SG270090	Thread away solenoid lever	1	
7	KL270450	Hook guide plate	1	
8	KL270091	Thread away hook guide	1	
9	KL270101	Thread away hook	1	
10	KL270131C	Lever connecting pin	2	
11	KL270120C	Connecting plate	1	
12	KX270070	Thread guard disk spacer	2	
13	SG270040	Thread guard disk bracket upper	1	Z12
	RD270040	Thread guard disk bracket upper	1	Z15
14	SG270100	Napped plate	2	Z12
	RD270020	Napped plate	2	Z15
15	SG270030	Thread guard disk bracket(Z12)	1	Z12
	LA270080	Thread guard disk bracket(ZQ-A)	1	Z15
51		Truss screw M3×10		
52		Truss screw M3×6(With plain washer)		
53		Hex.socket bolt M4×12(Spring washer)		
54		Hex.nut M4(With spring washer)		
55		Truss screw M4×16		
56		Hex.socket set screw M4×8		
57		Truss screw M3×8		
58		Truss screw M4×12		

03 Take up lever



BEDSHE-ZQ-BS BEVS-Z12C/Z15C BEDYH-Z12/ZQ
BEDLH-Z12/ZQ

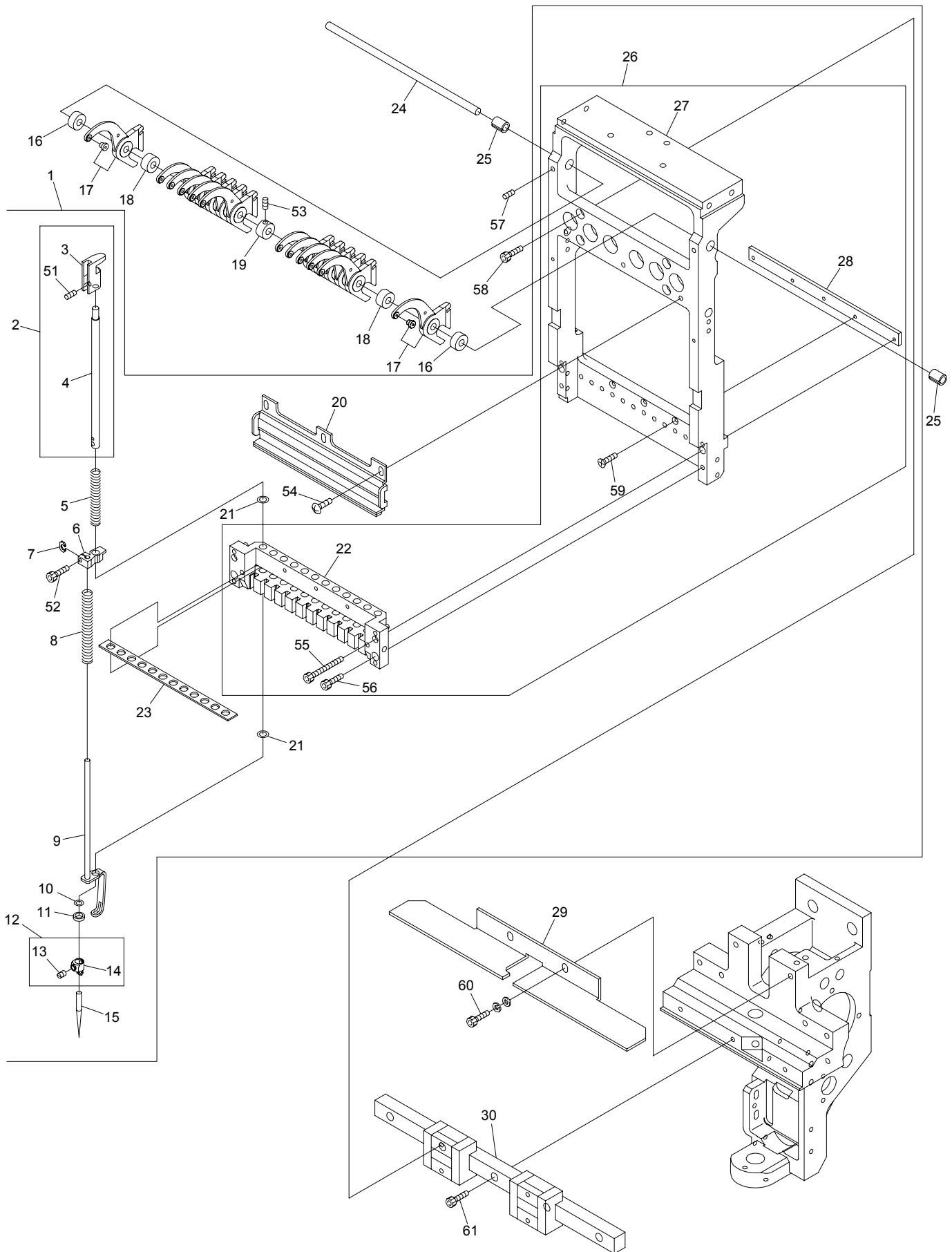
BEDYH-Z12-C BEVY-Z12/Z15 BEVY-Z12F/Z15F
BEDLH-Z12-C

BEVY-Z12C/Z15C BEVT-Z1201C/Z1501C BEDLHE-Z12/ZQ-C

03 Take up lever

ITEM	LIST No.	DESCRIPTION	Q' TY	NOTE
1	RV230070	Take up lever driving lever a'ssy	1	
2	RH230801	Take up lever driving lever(Metal)	1	
3	RH230311	Take up lever driving lever	1	
4	RH230810	Take up lever metal	1	
5	KF230501	Take up lever roller a'ssy	1	
6	KF230680	Cam followers(KR×4×7.9×15-1P×1)	1	
7	HB230650	Flush screw(With adhesion)	1	
8	RV230060	Take up lever driving roller	1	
9	RD230130	Take up lever driving roller shaft	1	
10	HB230800	Take up lever drive lever fixed pin set collar	1	
11	RH230610	Thrust washer	1	
12	SL230130	Arm reinforcement bracket	1	
13	RH230320	Take up lever driving lever fixing pin	1	
14	SL210081	Arm	1	
15	SG230350	Take up lever · Needle bar drive a'ssy	1	
16	RN230010	Needle bar driving cam a'ssy	1	
17	RN230030	Bearing case a'ssy	1	
18	RN230020C	Needle bar driving cam(Eccentric 9.2 φ20)	1	
19	RN230040	Bearing case	1	
20	A9010073	Ball bearing(6005ZZ)	1	
21	A9012421	C-ring for hole φ47	1	
22	HB230080C	Washer for cam(2)	1	
23	HB230070C	Washer for cam(1)	1	
24	SG230340	Take up lever cam H6RN(φ20)	1	
25	HB230620	Flush screw	3	
26	RH230300	Take up lever cam base	1	
27	RH230280	Needle bar crank rod	1	
28	RH230271	Needle bearing	1	
29	RH230330	Needle bar driving cam set collar	1	
30	SJ250240	Side cover(First head) DYHE	1	
51		Hex.socket set screw M4×4(With adhesion)		
52		Hex.nut M4(With spring washer)		
53		Hex.socket bolt M4×10(With washers)		
54		Hex.socket set screw M5×5		
55		Hex.socket bolt M8×25		
56		Disc spring 8		
57		Hex.socket bolt M4×15(With washers)		
58		Hex.socket bolt M4×8		
59		Hex.socket bolt M5×18		
60		Truss screw M5×8		

04A-1 Needle bar A(Z12)

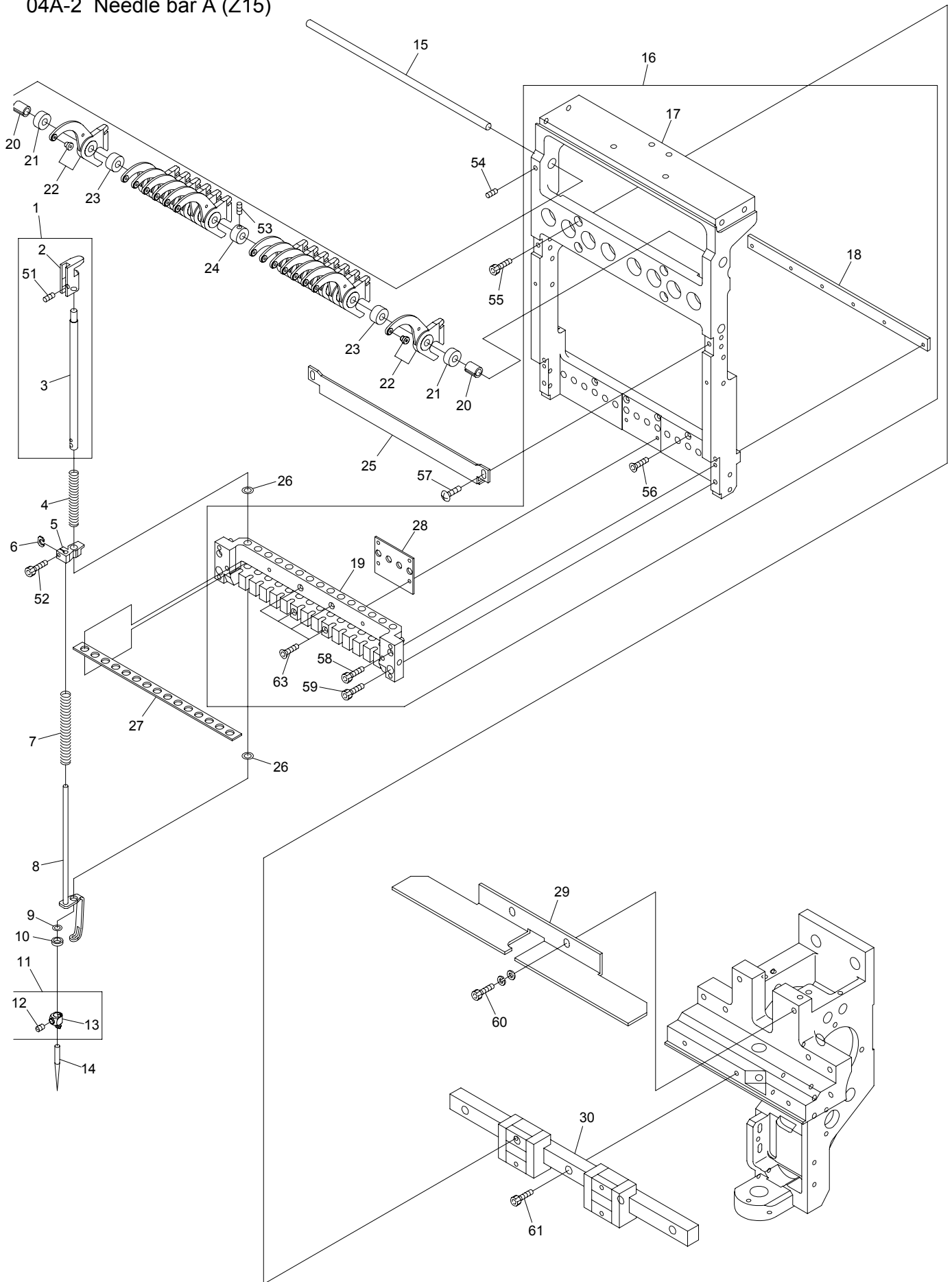


BEDSH-Z12-BS BEVS-Z12 BEVT-Z1201C BEDLHE-Z12-C01
 BEDRH-Z12-BS

04A-1 Needle bar A(Z12)

ITEM	LIST No.	DESCRIPTION	Q' TY	NOTE
1	SG230330	Slide block a'ssy	1	
2	RD230480	Needle bar a'ssy	1 2	
3	RD230490	Needle bar guide	1 2	
4	RH230410	Needle bar	1 2	
5	KV230040	Needle bar spring(Upper,for thick type)	1 2	
6	HT230330	Cloth hold set clamp	1 2	
7	HT230263	Washer for set clamp	1 2	
8	SG230220	Needle bar spring lower	1 2	
9	RD230370	Cloth hold(ZQ4)	1 2	
10	KF230910	O-ring(AN6227-5)	1 2	
11	HT230120	Washer 2.4	1 2	
12	RH230440	Needle clamp(With hook,set screw)	1 2	
13	RH230460	Needle clamp screw	1 2	
14	RH230450	Needle clamp(With hook)	1 2	
15	FN070011SNY	Needle(DBXK5-NY11S)	1 2	
16	SG230230	Take up lever spacer(t=6.1)	2	
17	KX230152	Take up lever(ZN multi)	1 2	
18	KX230141	Take up lever spacer	1 0	
19	RD230201	Take up lever spacer collar	1	
20	SG230040	Needle bar stocker	1	
21	A9014167	O-ring SS065	2 4	
22	SG230070	Needle bar base	1	
23	SG230150	Needle bar felt	1	
24	SG230140	Take up lever shaft(Z12)	1	
25	SG230200	Take up lever collar(Z12)	2	
26	SG230360	Slide block set (For color change connecting head)	1	
27	SG230060	Slide block	1	
28	SG230110	Bearing plate	1	
29	SG230410	Take up lever stocker(Z12)	1	
30	SG230390	LM-guide(Z12)	1	
51		Hex.socket double point screw M4×4		
52		Hex.socket bolt M3×8		
53		Hex.socket set screw M4×4		
54		Truss screw M4×8		
55		Hex.socket bolt M3×35		
56		Hex.socket bolt M4×12		
57		Hex.socket set screw M4×8		
58		Hex.socket bolt M4×10		
59		Hex.socket flush screw M3×14		
60		Hex.nut M4(With washers)		
61		Hex.socket bolt M4×14		

04A-2 Needle bar A (Z15)

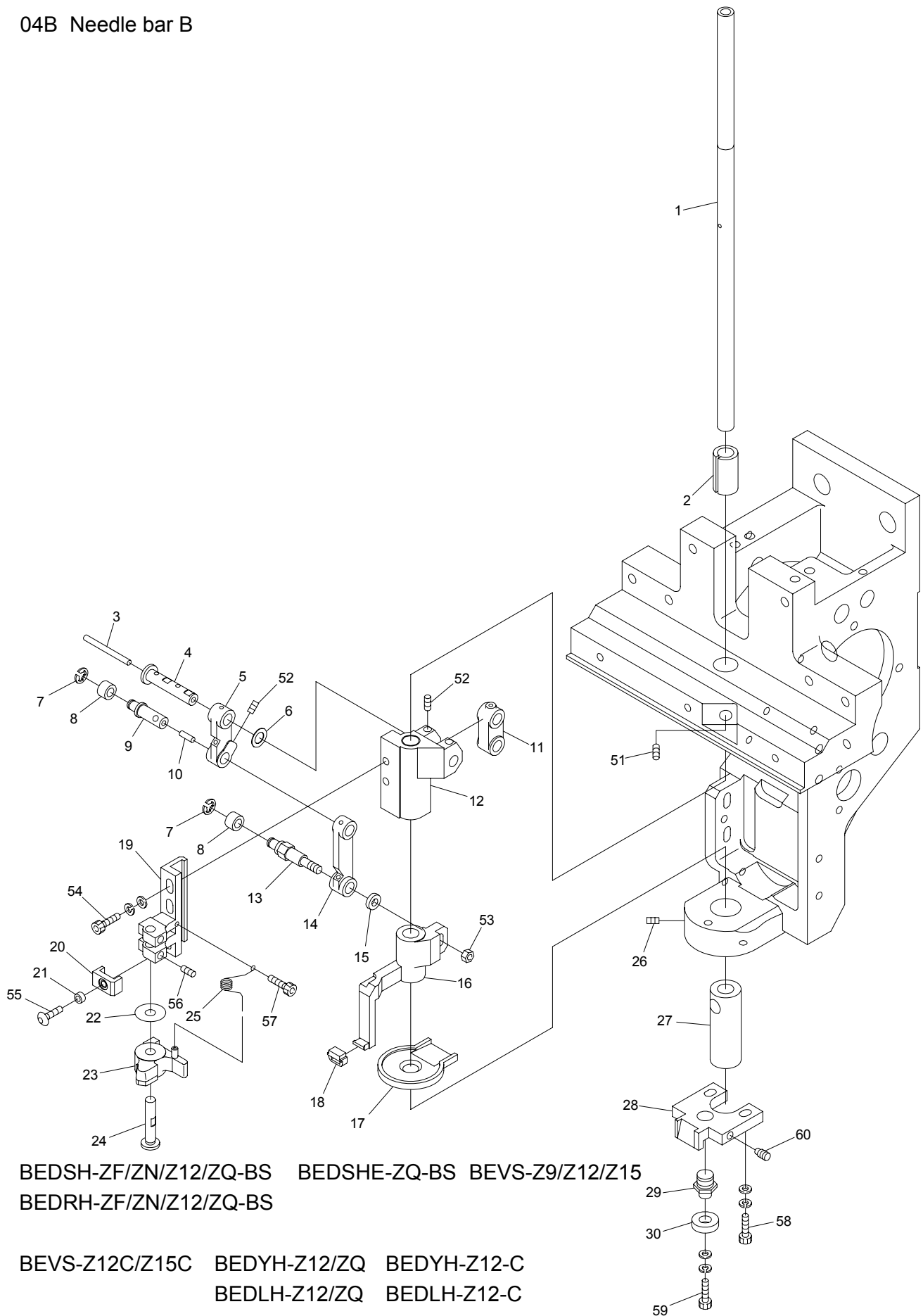


BEDSH-ZQ-BS BEVS-Z15 BEVT-Z1501C BEDLHE-ZQ-C01
 BEDRH-ZQ-BS

04A-2 Needle bar A(Z15)

ITEM	LIST No.	DESCRIPTION	Q' TY	NOTE
1	RD230480	Needle bar a'ssy	1 5	
2	RD230490	Needle bar guide	1 5	
3	RH230410	Needle bar	1 5	
4	KV230040	Needle bar spring(Upper,for thick type)	1 5	
5	HT230330	Cloth hold set clamp	1 5	
6	HT230263	Washer for set clamp	1 5	
7	SG230220	Needle bar spring lower	1 5	
8	RD230370	Cloth hold(ZQ4)	1 5	
9	KF230910	O-ring(AN6227-5)	1 5	
10	HT230120	Washer 2.4	1 5	
11	RH230440	Needle clamp(With hook,set screw)	1 5	
12	RH230460	Needle clamp screw	1 5	
13	RH230450	Needle clamp(With hook)	1 5	
14	FN070011SNY	Needle(DBXK5-NY11S)	1 5	
15	SL230070	Take up lever shaft(ZQ6)	1	
16	SL230011	Slide block set (For color change connecting head)	1	
17	SL230021	Slide block	1	
18	RD230060	Bearing plate	1	
19	SL230031	Needle bar base	1	
20	SG230200	Take up lever collar(Z12)	2	
21	SG230230	Take up lever spacer(t=6.1)	2	
22	KX230152	Take up lever(ZN multi)	1 5	
23	KX230141	Take up lever spacer	1 3	
24	RD230201	Take up lever spacer collar	1	
25	SL230040	Needle bar stocker(ZQ6)	1	
26	A9014167	O-ring SS065	3 0	
27	SL230080	Needle bar felt	1	
28	SL230090	Slide block sim	1	
29	RV230180	Take up lever stocker	1	
30	SL230140	LM-guide(ZQ6)	1	
51		Hex.socket double point screw M4×4		
52		Hex.socket bolt M3×8		
53		Hex.socket set screw M4×4		
54		Hex.socket set screw M4×8		
55		Hex.socket bolt M4×10		
56		Hex.socket flush screw M3×14		
57		Truss screw M4×8		
58		Hex.socket bolt M3×35		
59		Hex.socket bolt M4×12		
60		Hex.socket bolt M5×15(With washers)		
61		Hex.socket bolt M4×14		

04B Needle bar B



BEDSH-ZF/ZN/Z12/ZQ-BS BEDSHE-ZQ-BS BEVS-Z9/Z12/Z15
 BEDRH-ZF/ZN/Z12/ZQ-BS

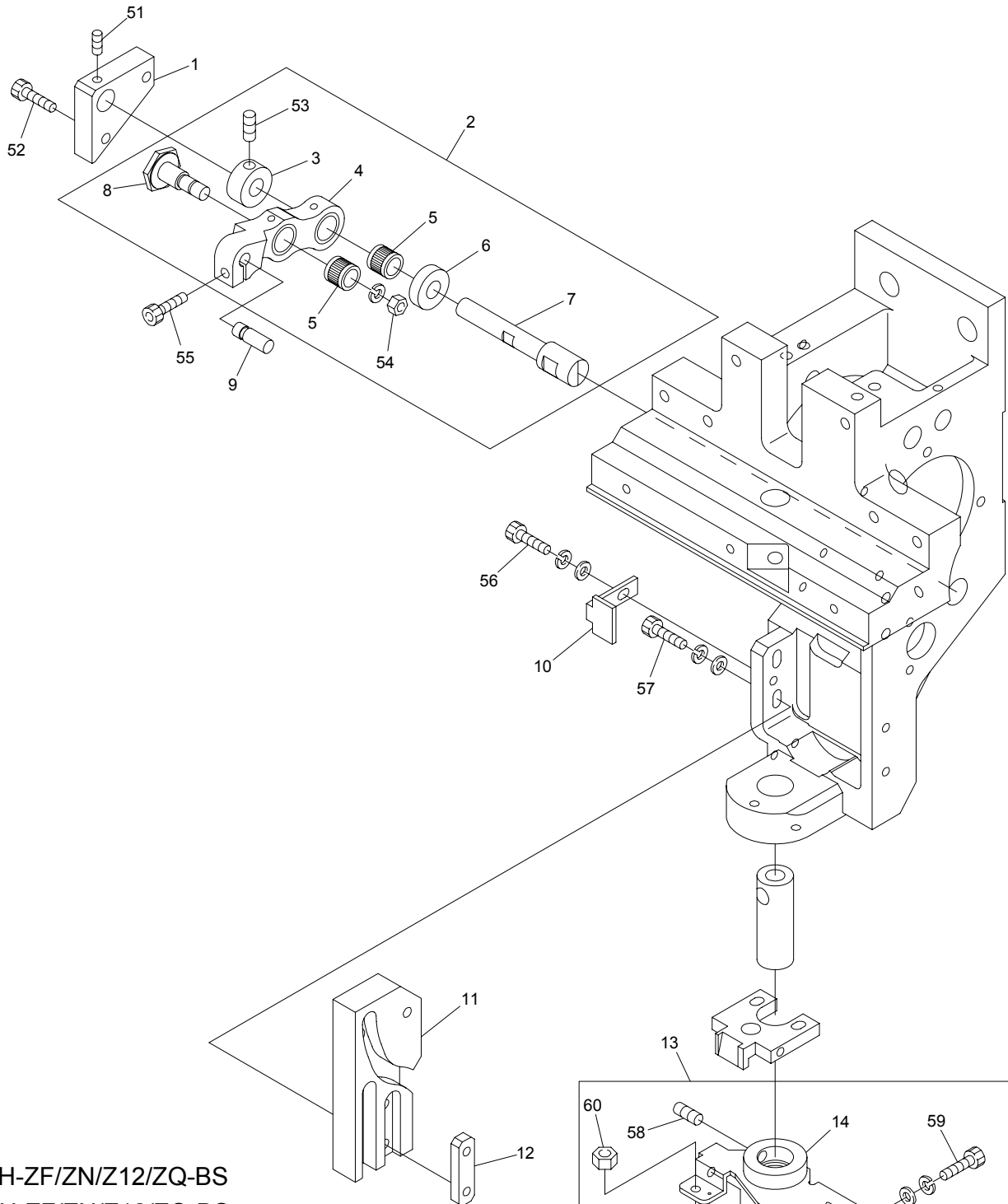
BEVS-Z12C/Z15C BEDYH-Z12/ZQ BEDYH-Z12-C
 BEDLH-Z12/ZQ BEDLH-Z12-C

BEVY-Z12/Z15 BEVY-Z12F BEVY-Z12C/Z15C BEVT-Z1201C/Z1501C BEDLHE-Z12/ZQ-C

04B Needle bar B

ITEM	LIST No.	DESCRIPTION	Q' TY	NOTE
1	SG230170	Driving shaft	1	
2	RD230150	Driving shaft bush upper(BEMAX)	1	
3	HT230750	Oil core(30mm)	1	
4	HT230471	Small link pin	1	
5	HT230491	Link(Small)	1	
6	HT230730	Shim ring(ϕ 10 t=0.3)	1	
7	A9012127	E-ring(ϕ 3)	2	
8	KF230530	Roller(For take up lever)	2	
9	HT230450	Link roller joint pin	1	
10	HT230760	Oil core(8mm)	1	
11	HB230200	Needle bar driving link	1	
12	HT230510	Needle bar driver slide block	1	
13	SG230180	Link roller joint pin(Large)	1	
14	HT230480	Link(Large)	1	
15	SG230190	Washer for joint pin	1	
16	SG230031	Cloth hold support slide block	1	
17	SG230000	Oil receive plate	1	
18	HT230340	Cloth hold support rubber	1	
19	HT230290	Needle bar beat fixing base	1	
20	HT230520	Needle bar driving stopper	1	
21	A9012368	Spacer(Roll bush)	1	
22	RH230550	Shim ring	1	
23	RH230540	Needle bar driver	1	
24	HT230280	Needle bar driver pin	1	
25	HT230560	Needle bar driver return spring	1	
26	A9012415	Double point screw M6 \times 7(P0.75)	2	
27	SL230180	Driving shaft bush(Lower)	1	
28	LA230140	Bearing guide	1	
29	SG230300	Bearing pin	1	
30	A9010065	Ball bearing 686zz	1	
51		Hex.socket set screw M4 \times 10		
52		Hex.socket set screw M4 \times 6(With nylon)		
53		Hex.nut M4		
54		Hex.socket bolt M4 \times 12(With washers)		
55		Hex.socket button bolt M3 \times 6		
56		Hex.socket set screw M4 \times 4(With nylon)		
57		Hex.Socke bolt M2.5 \times 6		
58		Hex.socket bolt M4 \times 15(With washers)		
59		Hex.socket bolt M4 \times 6(With washers)		
60		Hex.socket set screw(Dog point) M4 \times 12		

04C Needle bar C



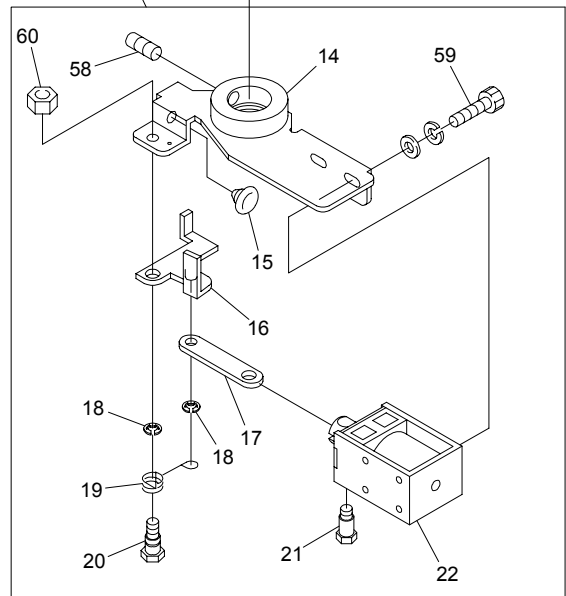
BEDSH-ZF/ZN/Z12/ZQ-BS
BEDRH-ZF/ZN/Z12/ZQ-BS

BEDSHE-ZQ-BS BEVS-Z9/Z12/Z15

BEVS-Z12C/Z15C BEDYH-Z12/ZQ BEDYH-Z12-C
BEDLH-Z12/ZQ BEDLH-Z12-C

BEVY-Z12/Z15 BEVY-Z12F BEVY-Z12C/Z15C

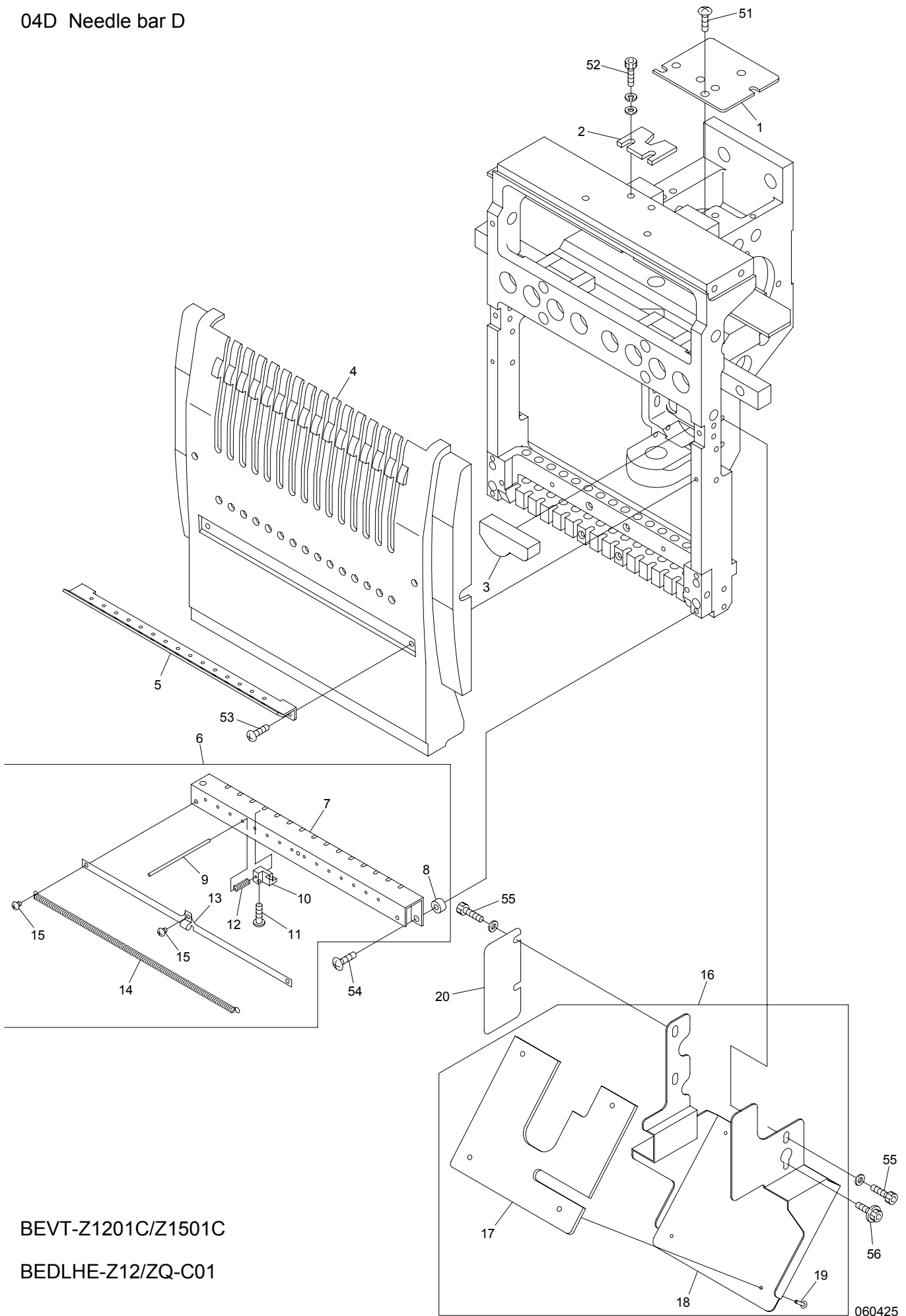
BEVT-Z1201C/Z1501C BEDLHE-Z12/ZQ-C



04C Needle bar C

ITEM	LIST No.	DESCRIPTION	Q' TY	NOTE
1	HT230590	Lever pin block	1	
2	RR230090	Needle bar driving lever set(P25.65)	1	
3	HB230271	Needle bar driving lever fixing pin set collar	1	
4	RR230080	Needle bar driving lever(P25.65)	1	
5	HB230361	Needle roller with retainer(KV8×11×10SV2)	2	
6	HB230281	Needle bar driving lever fixing pin collar	1	
7	HT230410	Needle bar driving lever fixing pin	1	
8	HB230261	Needle bar driving lever connecting pin	1	
9	HB230220	Needle bar driving lever pin(B)	1	
10	SG230270	Cam guide plate	1	
11	SG230210	Cloth hold cam(K3)	1	
12	MK230080	Cam tap plate	1	
13	MM270000	Thread support a'ssy(24V) DTHE	1	
14	SG270050	Thread support base	1	
15	A9014166	Plug cushion rubber TM-96-6	1	
16	SG270060	Thread support lever	1	
17	SG270070	Thread support link	1	
18	A9012127	E-ring(φ3)	2	
19	SG270120	Thread support return spring	1	
20	SG270110	Thread support lever pin screw	1	
21	KC270101	Solenoid pin	1	
22	A9056042	Keep solenoid(24V) TDS-K10SL-368	1	
51		Hex.socket set screw M4×4(With nylon)		
52		Hex.socket bolt M4×12(With washers)		
53		Hex.socket set screw M5×5		
54		Hex.nut M6(With spring washer)		
55		Hex.socket bolt M4×14(With adhesive)		
56		Hex.socket bolt M4×8(With washers)		
57		Hex.socket bolt M4×15(With washers)		
58		Hex.socket set screw M5×8		
59		Hex.socket bolt M3×6(With washers)		
60		Hex.nut M4		

04D Needle bar D



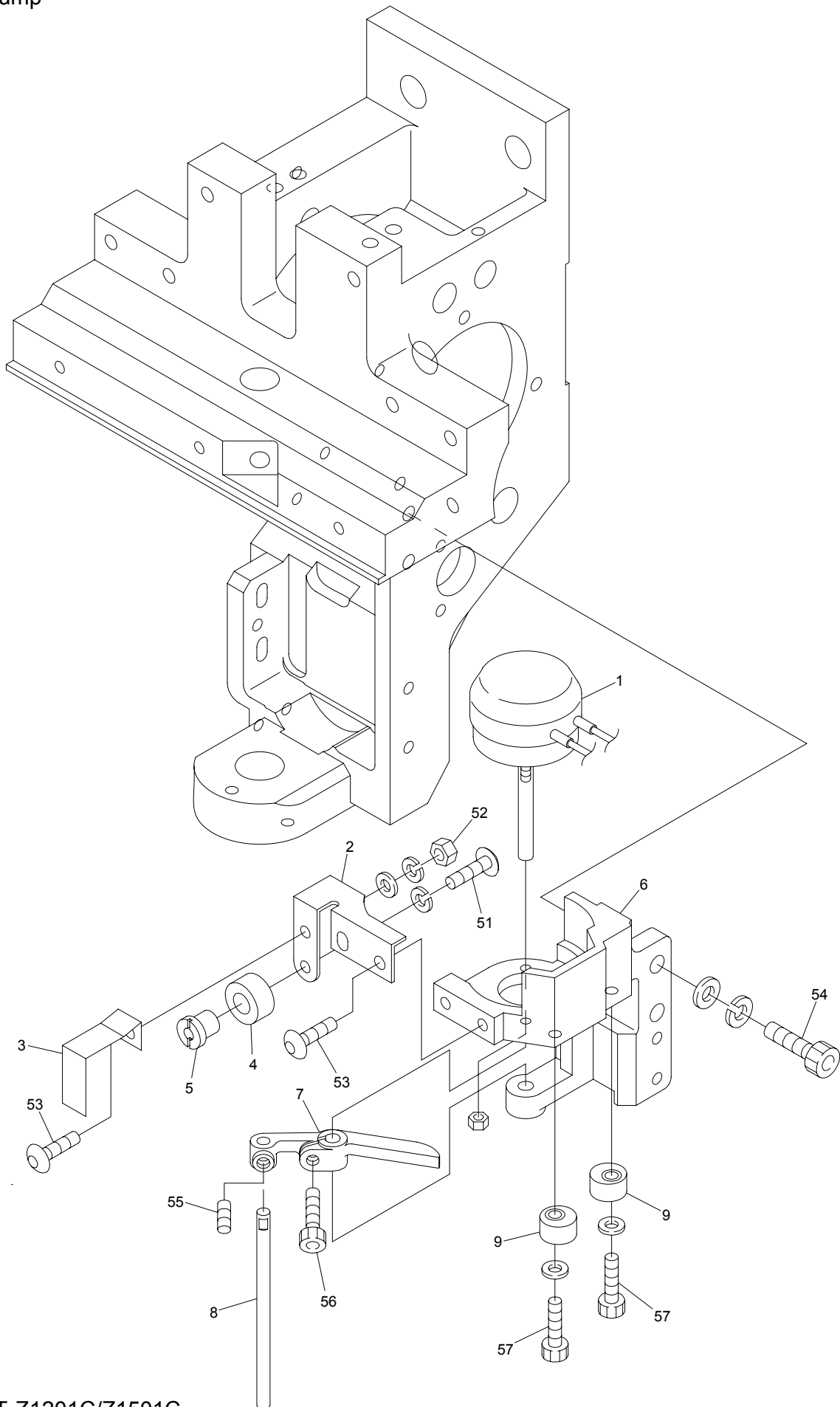
BEVT-Z1201C/Z1501C

BEDLHE-Z12/ZQ-C01

04D Needle bar D

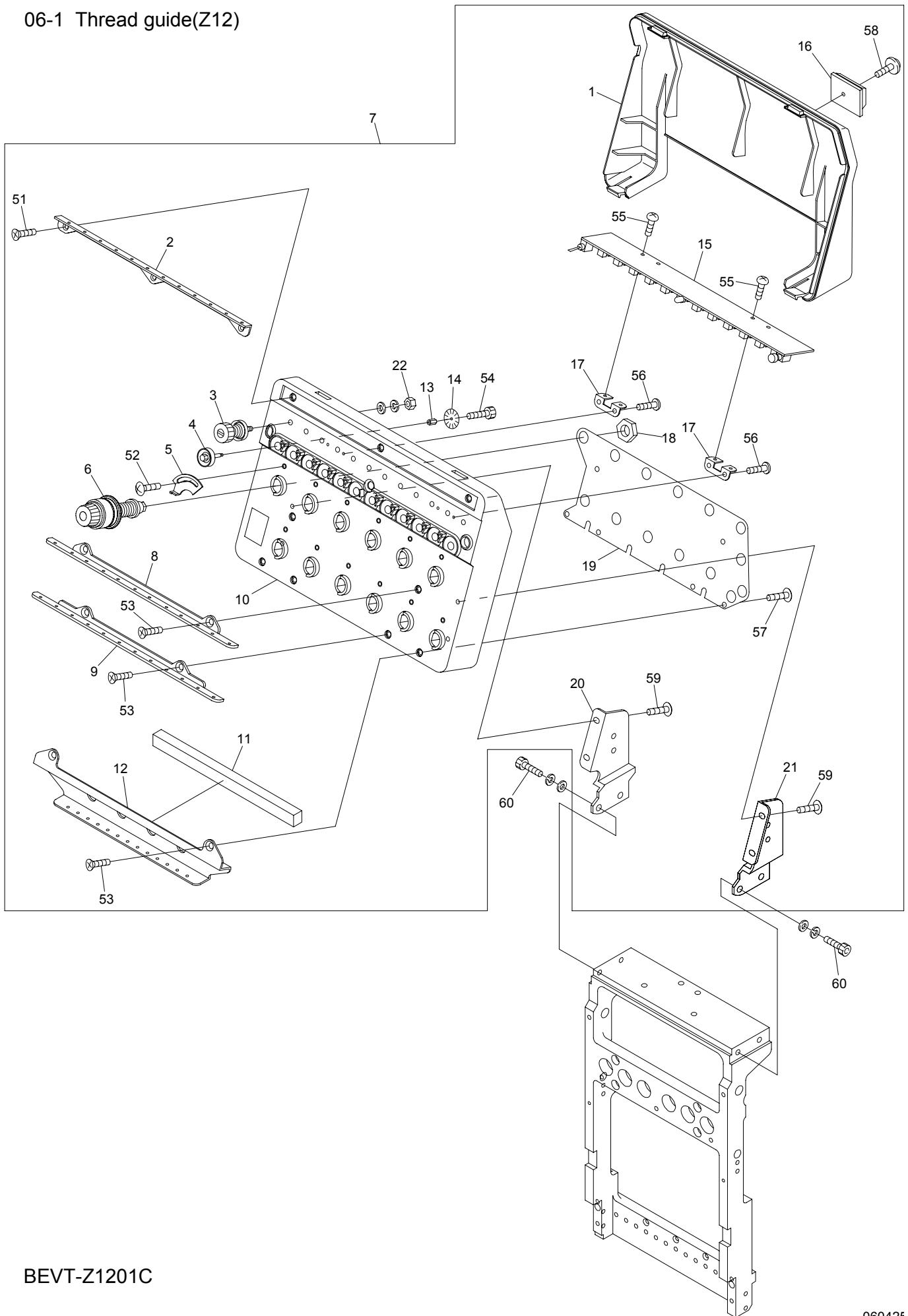
ITEM	LIST No.	DESCRIPTION	Q' TY	NOTE
1	RV250070	Arm upper cover	1	
2	SG230160	Slide block fixed plate	1	Machine shipment remove
3	SG230280	Oil save felt	1	
4	PF250000	Head cover(Z12)	1	Z12
	PG250000	Head cover(Z15)	1	Z15
5	SG240000	Thread guard(With ceramic)	1	Z12
	RD240271	Thread guard(With ceramic)	1	Z15
6	SG270170	Thread support apron a'ssy	1	Z12
	SL270000	Thread support apron a'ssy	1	Z15
7	SG270010	Thread support apron	1	Z12
	SL270010	Thread support apron	1	Z15
8	SG270140	Thread support apron spacer	2	
9	SG270130	Thread support pin	1 2	Z12
			1 5	Z15
10	SG270000	Thread support clamp	1 2	Z12
			1 5	Z15
11	HT270063	Thread support clamp set screw	1 2	Z12
			1 5	Z15
12	SG270180	Thread support spring	1 2	Z12
			1 5	Z15
13	SG270150	Thread holder spring support	1	Z12
	SL270030	Thread holder spring support	1	Z15
14	SG270160	Thread holder spring	1	Z12
	SL270020	Thread holder spring	1	Z15
15	SL270040	Thread holder spring fixed screw	3	
16	SL250081	Cap cover set 2	1	
17	SG250060	Oil holder felt	1	
18	SL250091	Cap cover 2	1	
19	A9014168	Brass rivet $\phi 2 \times 11.5$ (Brass)	4	
20	SL250230	Head left cover	1	
51		Truss screw M5×6		
52		Hex.socket bolt M5×10		
53		Pan screw M3×8		
54		Truss screw M4×12		
55		Hex.socket bolt M4×6(With plain washer)		
56		Hex.socket bolt M4×25(With washers)		

05 Jump



BEVT-Z1201C/Z1501C

06-1 Thread guide(Z12)

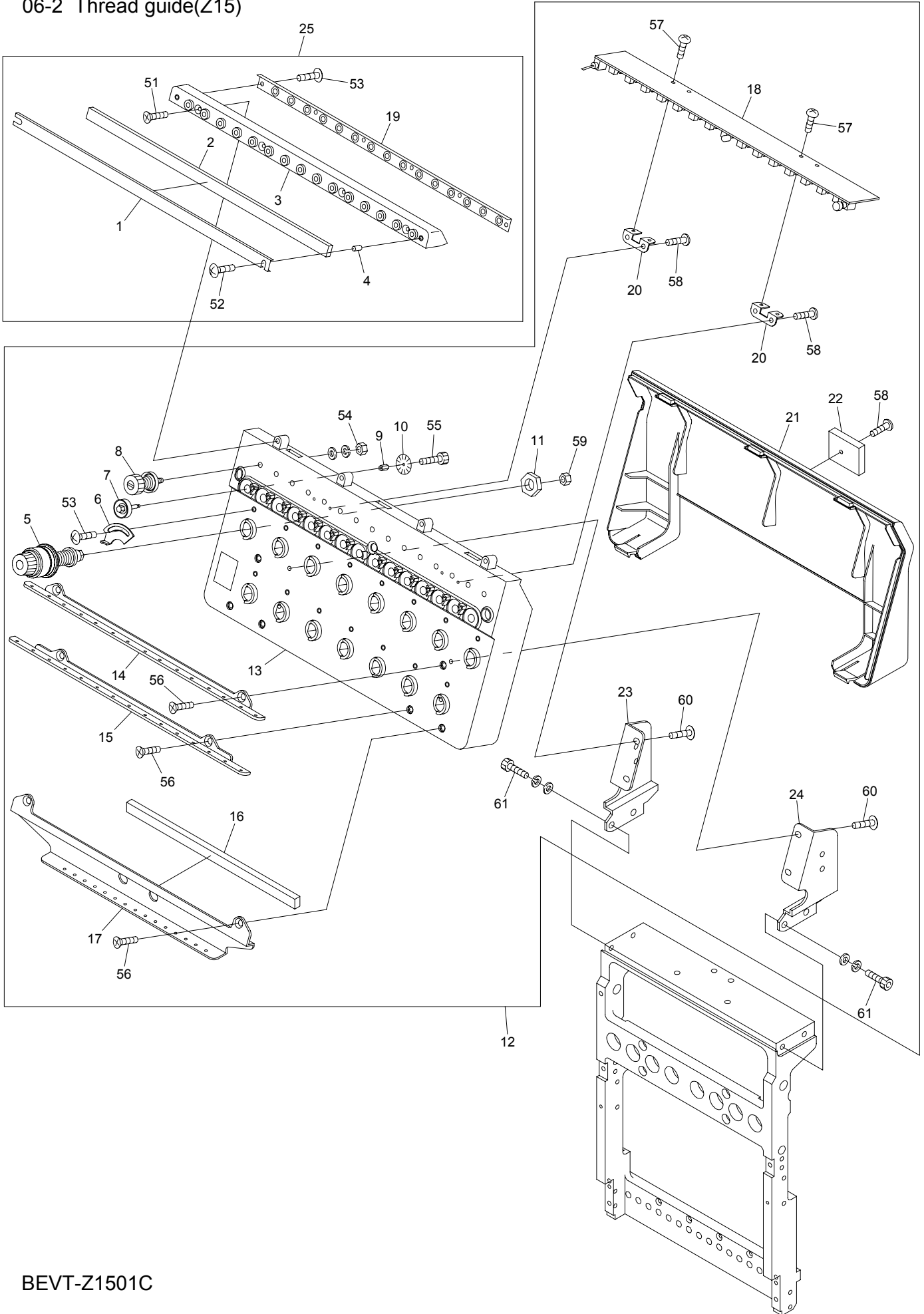


BEVT-Z1201C

06-1 Thread guide (Z12)

ITEM	LIST No.	DESCRIPTION	Q' TY	NOTE
1	PN240010	Tension base cover(VY-Z12)	1	
2	SG240040	Upper part thread guide plate(DSH-Z12)	1	
3	RR240300C	Tension a'ssy(DS)	1 2	
4	HT240290	Tension wheel a'ssy	1 2	
5	RR240510	Thread spring adjusting plate	1 2	
6	RD240154	Dial tension a'ssy	1 2	
7	MQ240010	Tension base a'ssy(VT-Z1201C)	1	
8	SG240050	Thread guide plate upper(DSH-Z12)	1	
9	SG240060	Thread guide plate lower(DSH-Z12)	1	
10	PF240010	Tension base case a'ssy(VS-Z12)	1	
11	SG240110	Sponge rubber(DSH-Z12)	1	
12	MM240030	Second thread guide plate lower(DTHE-Z12)	1	
13	KN540510	Tension wheel nut	1 2	
14	HT240101	Lower thread detection sensor disk(YN)	1 2	
15	EBY02600	8580· switch board with thread detection	1	
16	A9068032	FCW clamp(FCW-26)	1	
17	RR240330	Switch board fixed base(DS)	2	
18	HT240180	SM-nut	1 2	
19	SG240080	Tension earth plate(DSH-Z12)	1	
20	SG240100	Tension base bracket· L(DSH-Z12)	1	
21	SG240090	Tension base bracket· R(DSH-Z12)	1	
22	FA999052	Hex.nut SM11/64(With washers)	1 2	
51		Flush screw M3×8		
52		Truss screw M3×5		
53		Flush screw M4×8		
54		Hex.socket bolt M2×3		
55		Pan screw M3×4		
56		Pan head tapping screw B tight M3×8		
57		Pan screw M4×6		
58		Pan head tapping screw B tight M3×5		
59		Truss screw M4×10		
60		Hex.socket bolt M5×15(With washers)		

06-2 Thread guide(Z15)

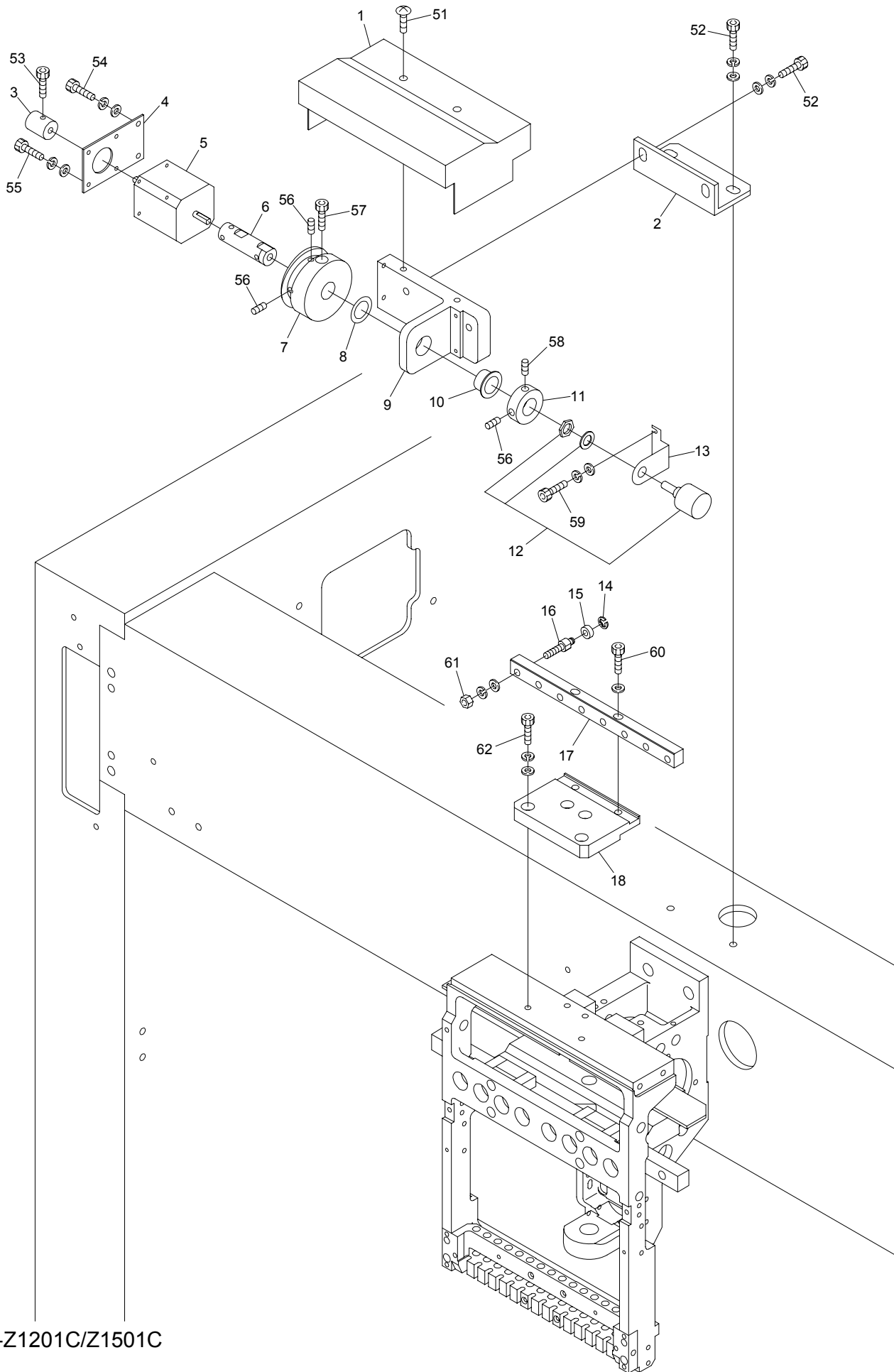


BEVT-Z1501C

06-2 Thread guide (Z15)

ITEM	LIST No.	DESCRIPTION	Q' TY	NOTE
1	RV240100	Felt frame(DSH-ZQ)	1	
2	RV240110	Felt(DSH-ZQ)	1	
3	PG240040	Thread collar base(VS-Z15)	1	
4	A9012438	Felt hold spacer(DSH-ZQ)	2	
5	RD240154	Dial tension a'ssy(DS)	1 5	
6	RR240510	Thread spring adjusting plate	1 5	
7	HT240290	Tension wheel a'ssy	1 5	
8	RR240300	Tension a'ssy(DS)	1 5	
9	KN540510	Tension wheel nut	1 5	
10	HT240101	Lower thread detection sensor disk(YN)	1 5	
11	HT240180	SM-nut	1 5	
12	MQ240000	Tension base a'ssy(VT-Z1501C)	1	
13	PG240010	Tension base case a'ssy(VS-Z15)	1	
14	RV240040	Thread guide plate upper(DSH-ZQ)	1	
15	RV240050	Thread guide plate lower(DSH-ZQ)	1	
16	RV240091	Sponge rubber(DSH-ZQ)	1	
17	MM240010	Second thread guide plate(DTHE-ZQ)	1	
18	EBY02610	8560 switch board with thread detection	1	
19	RV240180	Tube holder(D-ZQ)	1	
20	RR240330	Switch board fixed base	2	
21	PP240010	Tension base cover(VY-Z15 1st head)	1	
22	A9068032	FCW clamp(FCW-26)	1	
23	RV240081	Tension base bracket L(DSH-ZQ)	1	
24	RV240071	Tension base bracket R(DSH-ZQ)	1	
25	PG240030	Thread collar base a'ssy(VS-Z15)	1	
51		Flush screw M3×8		
52		Truss screw M3×14		
53		Truss screw M3×5		
54		Hex.nut SM11/64(With washers)		
55		Hex.socket bolt M2×3		
56		Flush screw M4×8		
57		Pan screw M3×4		
58		Pan head tapping screw B tight M3×8		
59		Hex.nut M4 l		
60		Truss screw M4×10		
61		Hex.socket bolt M5×15(With washers)		

07 Color change

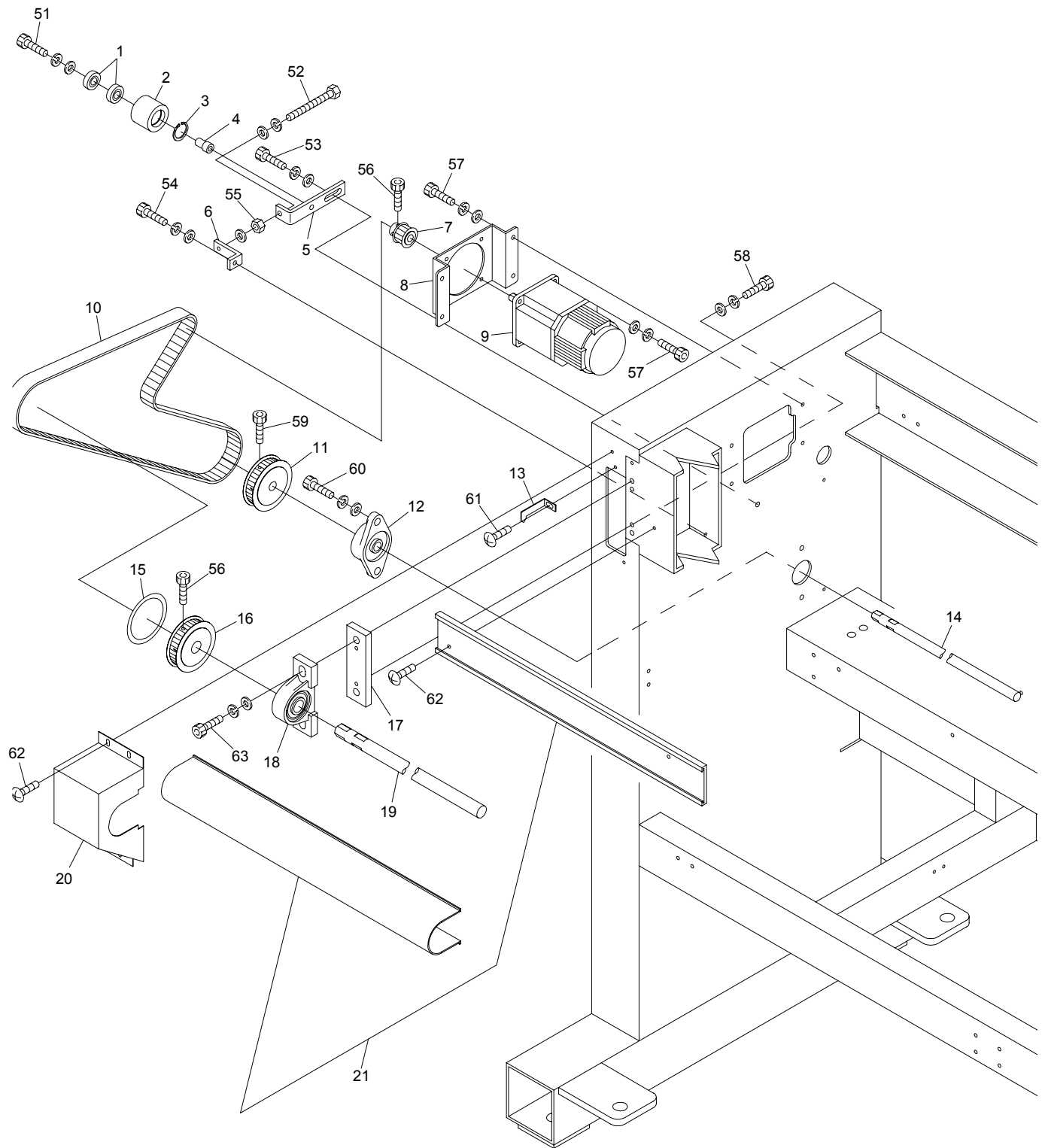


BEVT-Z1201C/Z1501C

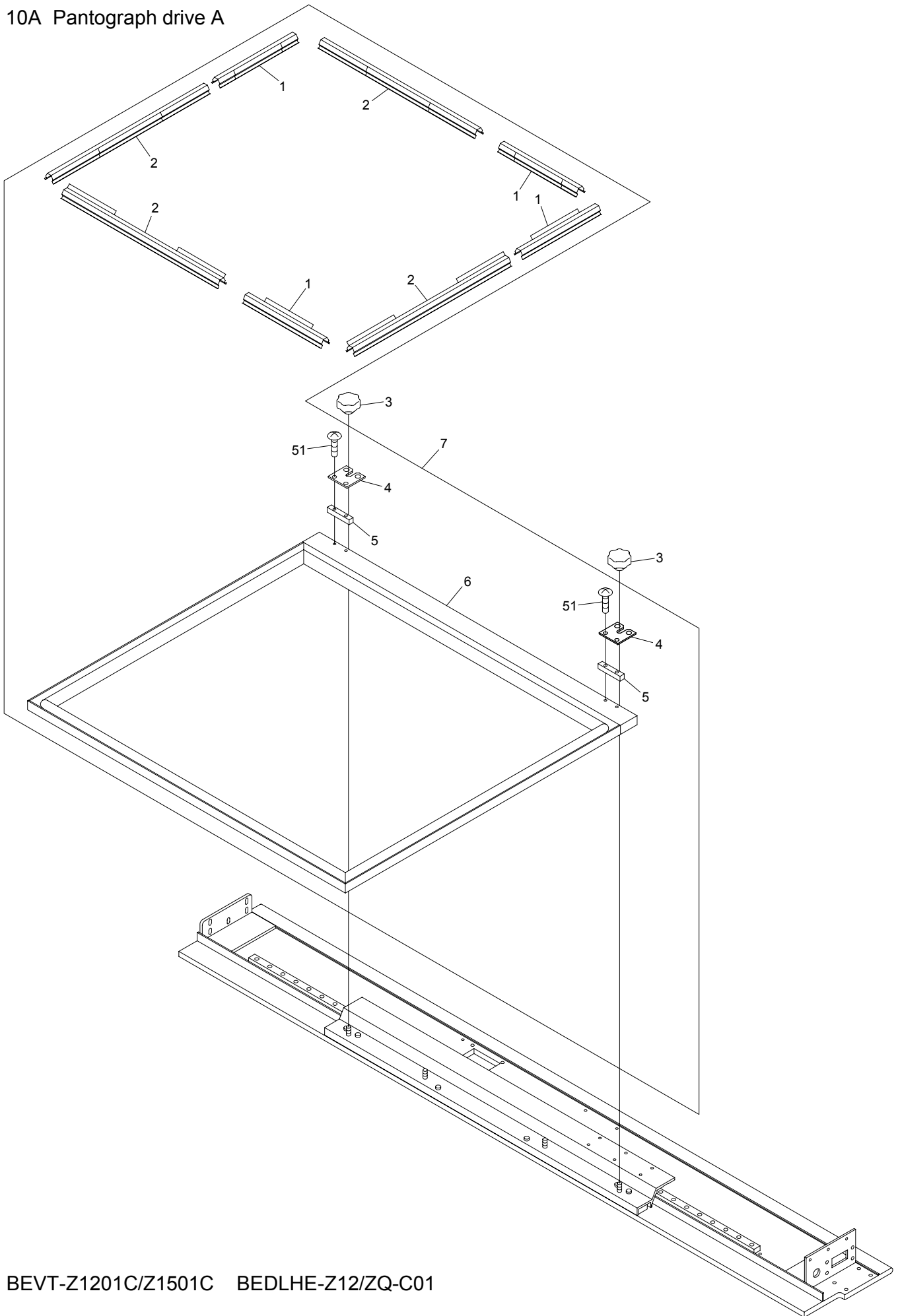
07 Color change

ITEM	LIST No.	DESCRIPTION	Q' TY	NOTE
1	MM330050	Color change cover(DTHE)	1	
2	MM330040	Color change bracket(DTHE)	1	
3	MG330090	Manual connecting shaft	1	
4	MM330030	Color change motor bracket(DTHE)	1	
5	MG330110	Color change motor(TS3617N111E24)	1	
6	MG330040	Color change cam connecting shaft	1	
7	MG330030	Color change cam	1	
8	A9010109	Polyester slider(STW-FT150)	1	
9	MM330020	Color change base(DTHE)	1	
10	A9011285	DU bush with flange(K5F1510-23)	1	
11	MG330080	Color change set collar	1	
12	MF510010	Potentiometer(M-22E10-050)	1	
13	MG330070	Potentiometer fixed plate	1	
14	A9012127	E-ring $\phi 3$	7	Z12
			8	Z15
15	A9010063	Miniature bearing	7	Z12
			8	Z15
16	KX330160	Connecting roller shaft	7	Z12
			8	Z15
17	MM330080	Connecting block(Z12)	1	Z12
	MG330010	Connecting block(ZQ)	1	Z15
18	MM330070	Color change connecting base plate(DTHE-Z12)	1	Z12
	MM330010	Color change connecting base plate(DTHE)	1	Z15
51		Truss screw M5×8		
52		Hex.socket bolt M6×20		
53		Hex.socket bolt M4×8(With nylon)		
54		Hex.socket bolt M4×12(With washer)		
55		Hex.socket bolt M3×6(With washer)		
56		Hex.socket set screw(Flat point) M4×10		
57		Hex.socket bolt M5×16		
58		Hex.socket set screw(Cup point) M6×8		
59		Hex.socket bolt M6×25		
60		Hex.nut M6 III		
61		Hex.socket bolt M5×18		

08 Drive

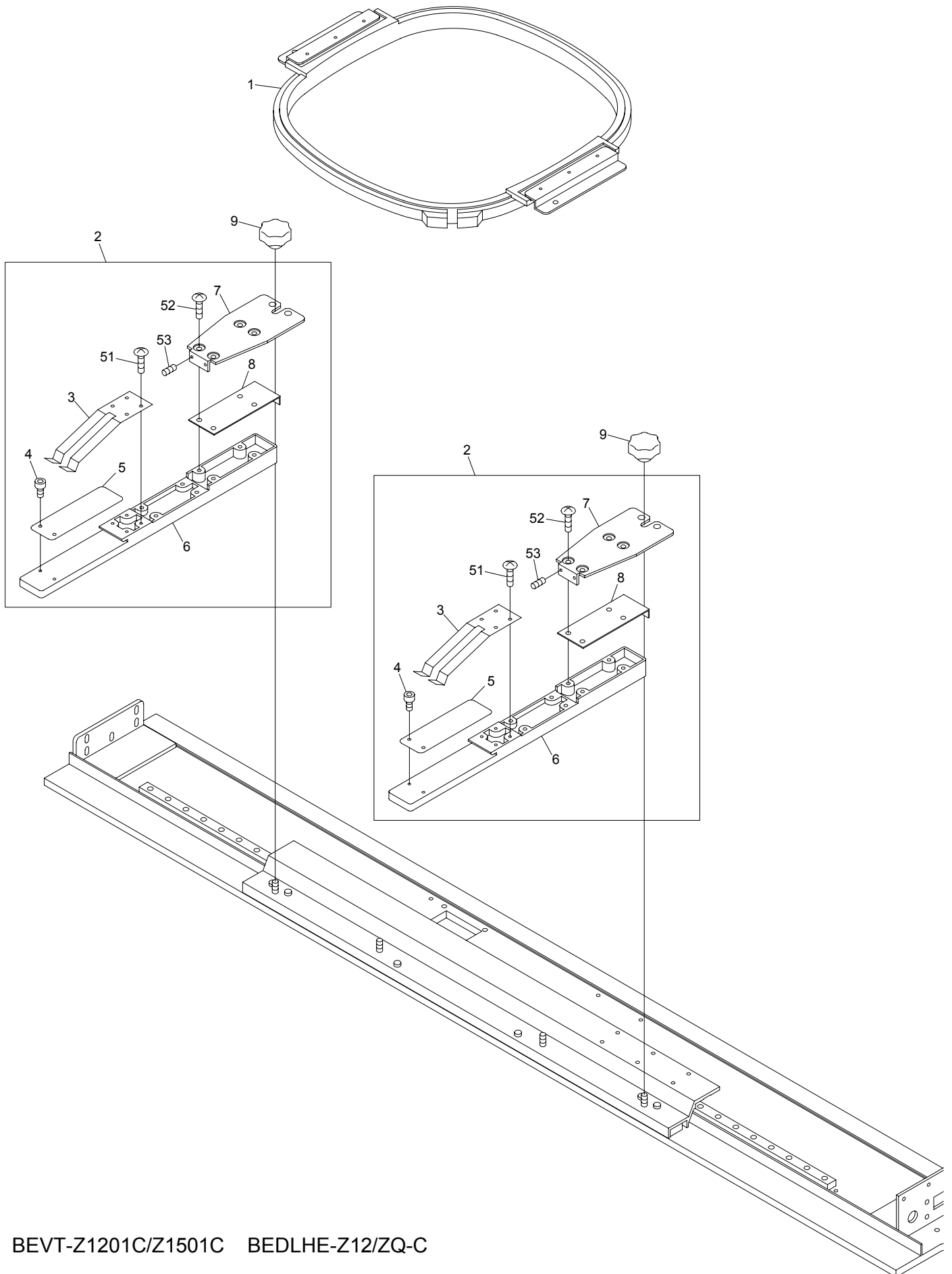


10A Pantograph drive A



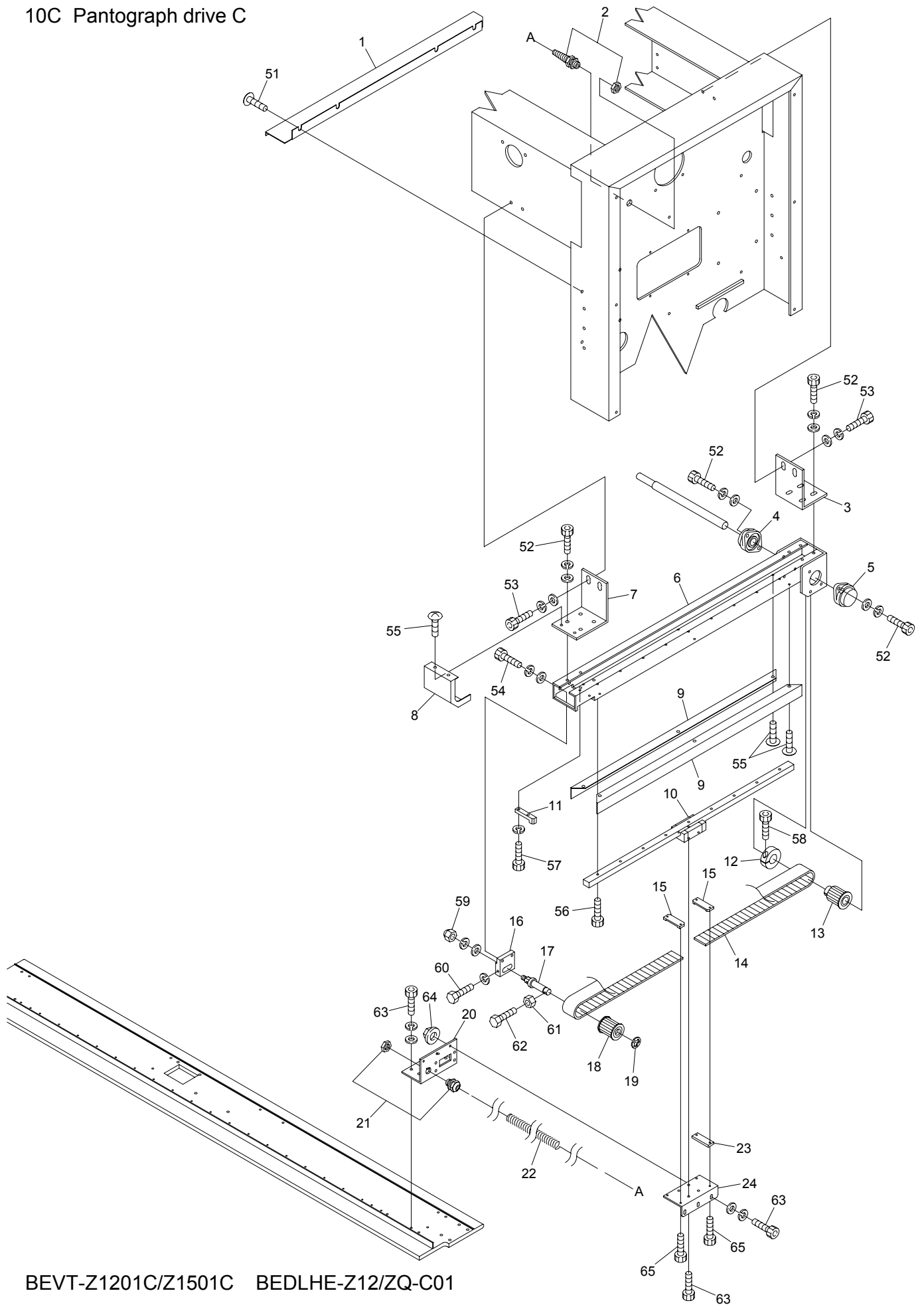
BEVT-Z1201C/Z1501C BEDLHE-Z12/ZQ-C01

10B Pantograph drive B



BEVT-Z1201C/Z1501C BEDLHE-Z12/ZQ-C

10C Pantograph drive C

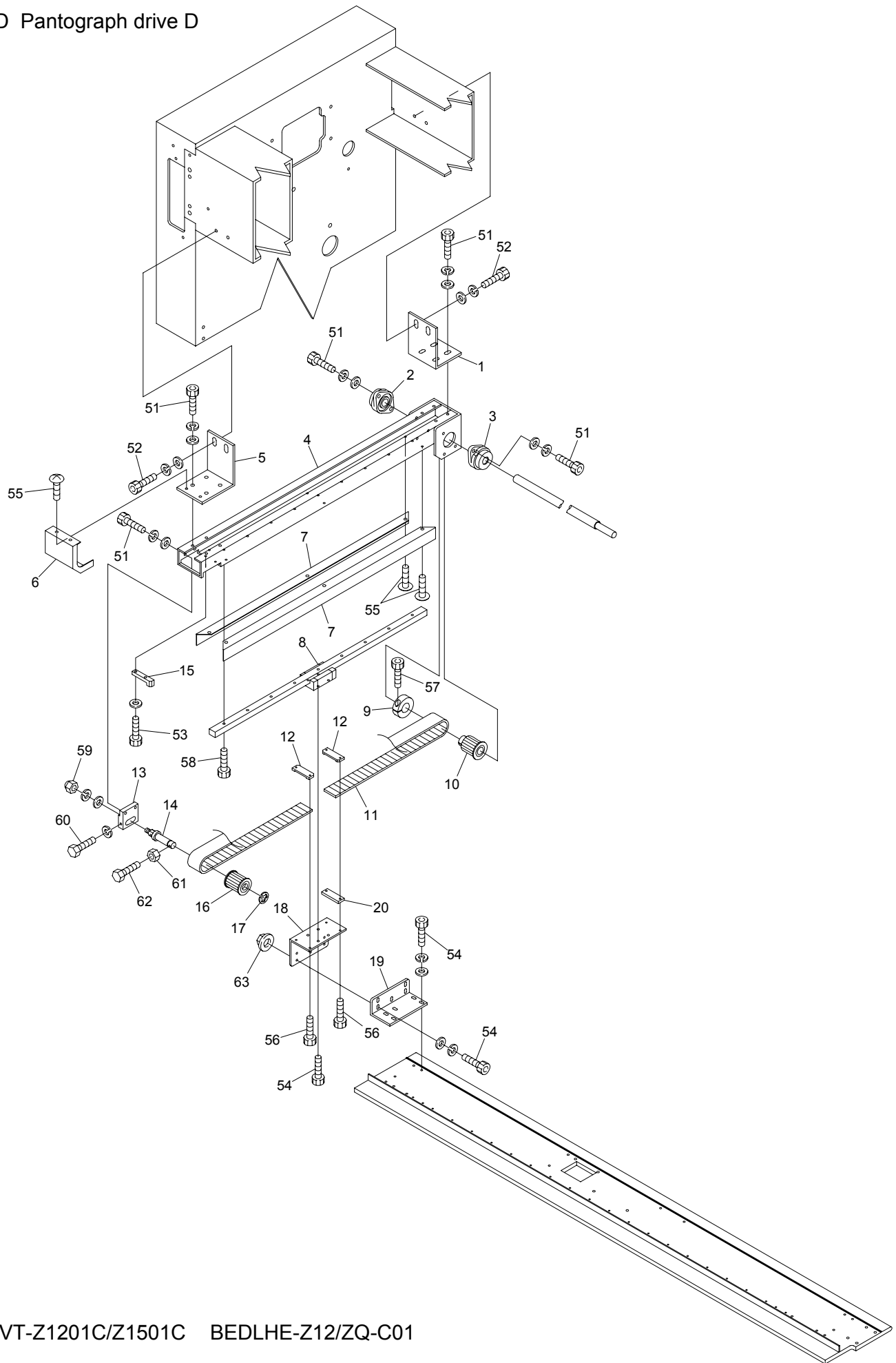


BEVT-Z1201C/Z1501C BEDLHE-Z12/ZQ-C01

10C Pantograph drive C

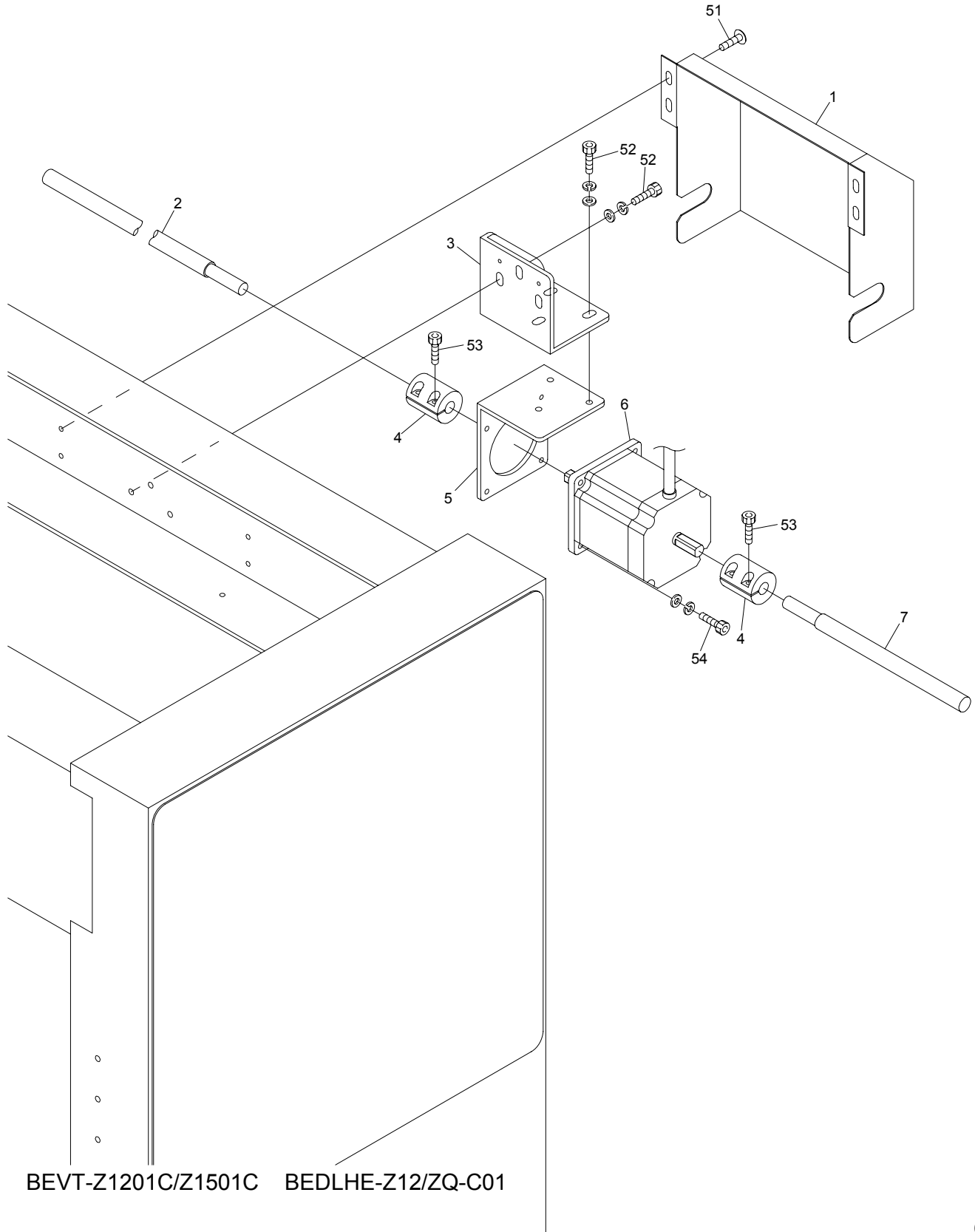
ITEM	LIST No.	DESCRIPTION	Q' TY	NOTE
1	MM250020	V-ball spline cover(DTHE)	1	
2	A9068030	Bushing NW-7RP	1	
3	SC480330	H-rail base fixed stay(Rear)	1	
4	A9011243	Bearing unit(UFL002C)	1	
5	A9011244	Bearing unit(UFL002D)	1	
6	SJ480010	H-rail base(ST=450) DYHE	1	
7	SC480210	H-rail base fixed stay(Front)	1	
8	SC250040	H-rail frou cover	1	
9	SC250070	H-rail side cover	2	
10	SC480040	LM guide(540L)	1	
11	RP480201	Pulley stopper	1	
12	HH481980	φ19 clamp	1	
13	SJ480000	Pantograph drive pulley(16 tooth)	1	
14	SC480020	Timing belt MA5	1	
15	HP482940	Timing belt set rack(5M)	2	
16	SJ480081	Pulley bracket	1	
17	HH481991	Timing pulley shaft	1	
18	SC480010	Pantograph drive pulley(Front)	1	
19	A9012052	E-ring(φ10)	1	
20	MM480050	Guide stay(DTHE)	1	
21	A9068050	Super seal(NW-7R)	1	
22	A9068049	Curl cord(Compact machine)	1	
23	SJ480020	Rack spacer	1	
24	SC480120	Guide base(R)	1	
51		Truss screw M6×10		
52		Hex.socket bolt M5×15(Chromate)		
53		Hex.socket bolt M6×20(Chromate)		
54		Hex.socket bolt M6×15(Chromate)		
55		Truss screw M4×6(Chromate)		
56		Hex.socket bolt M4×10(Black)		
57		Hex.socket bolt M4×12(With spring washer)		
58		Hex.socket bolt M5×20(Black)		
59		Hex.cap nut M8(Chromate)		
60		Hex.bolt M4×30(Chromate)		
61		Hex.nut M4		
62		Hex.bolt M4×40(Chromate)		
63		Hex.socket bolt M4×12(With adhesion)		
64		Flange nut M4		
65		Hex.socket bolt M3×15(Black)		

10D Pantograph drive D



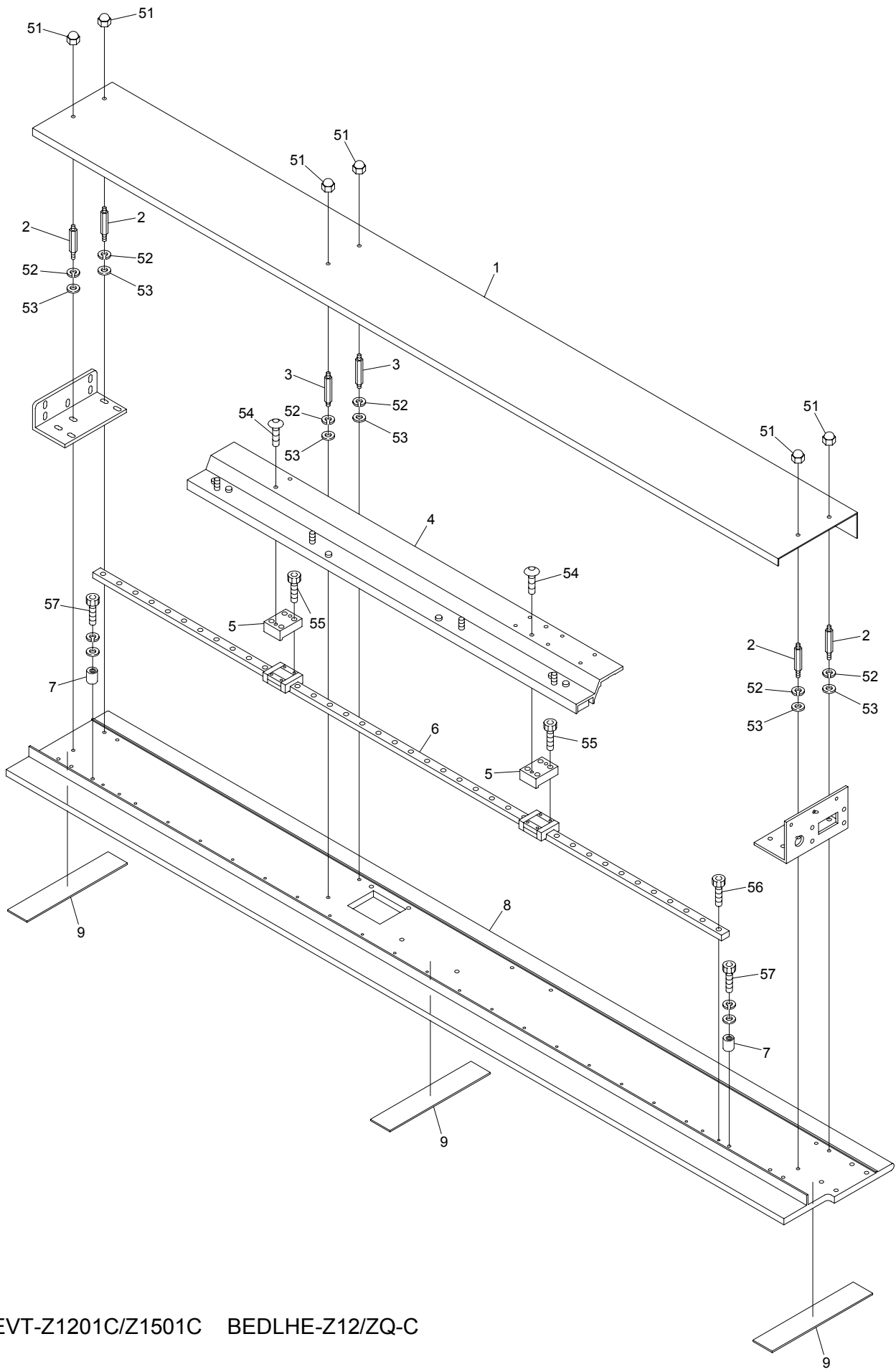
BEVT-Z1201C/Z1501C BEDLHE-Z12/ZQ-C01

10E Pantograph drive E



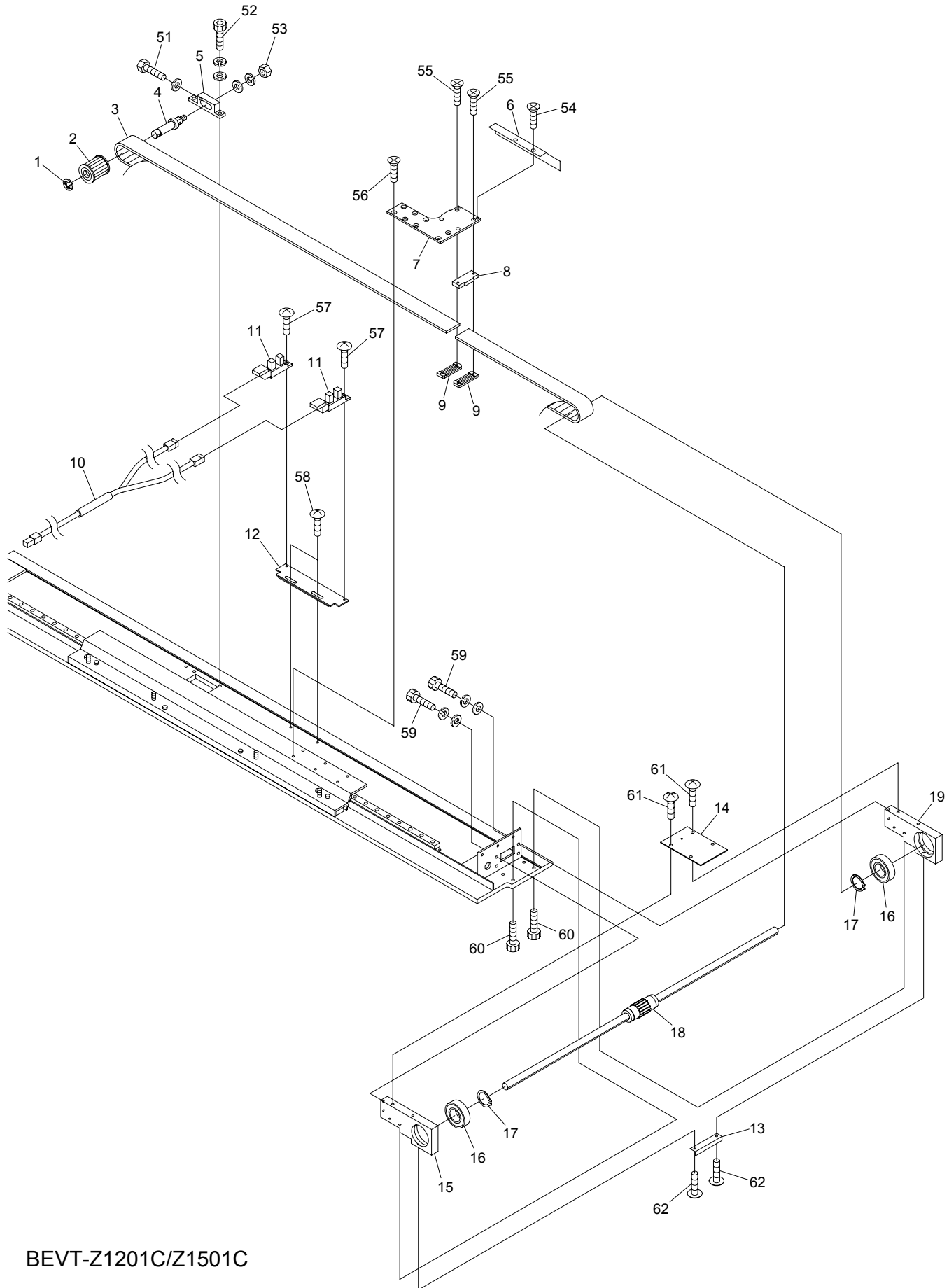
BEVT-Z1201C/Z1501C BEDLHE-Z12/ZQ-C01

10F Pantograph drive F



BEVT-Z1201C/Z1501C BEDLHE-Z12/ZQ-C

10G Pantograph drive G

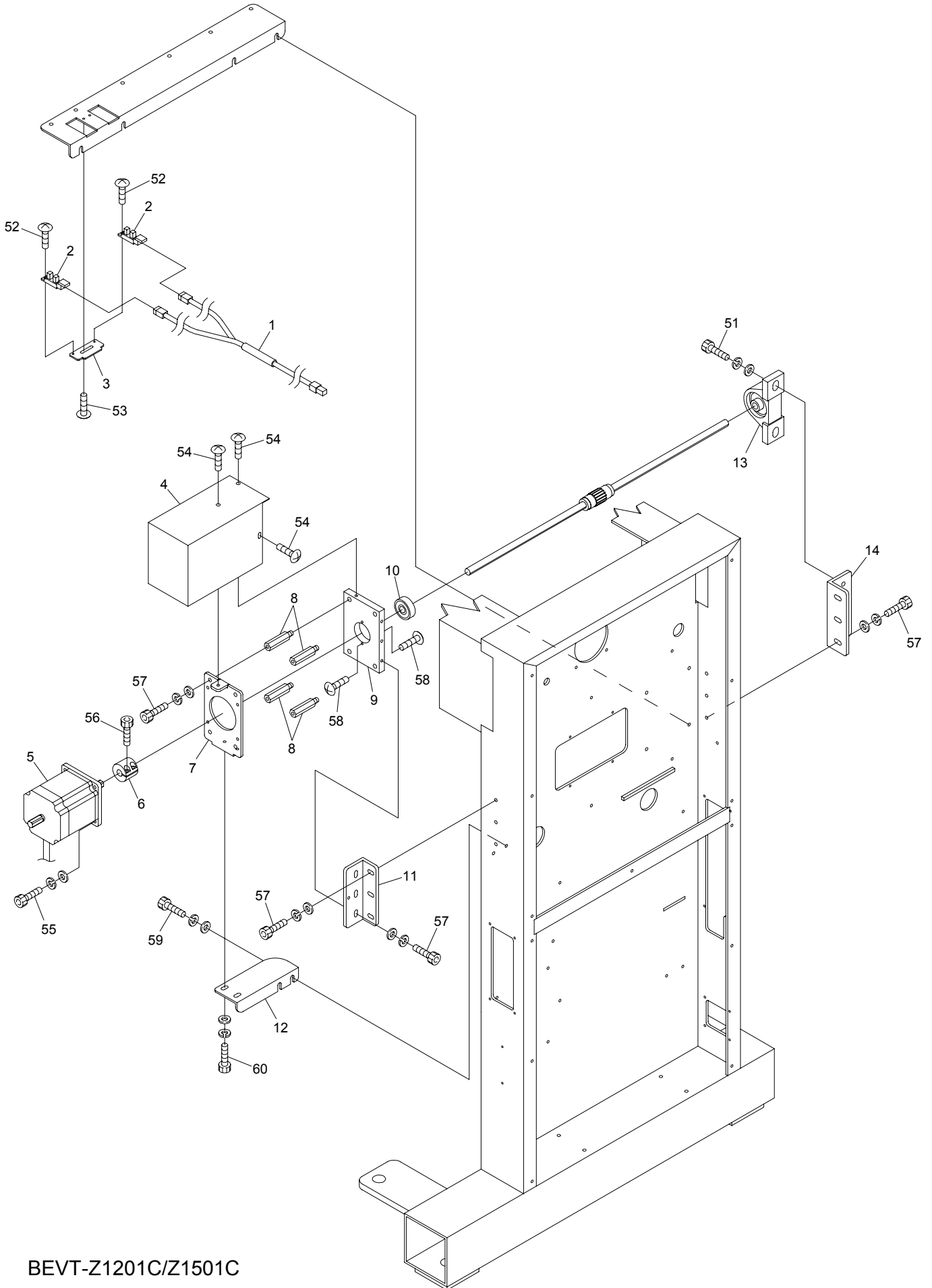


BEVT-Z1201C/Z1501C

10G Pantograph drive G

ITEM	LIST No.	DESCRIPTION	Q' TY	NOTE
1	A9012052	E-ring(φ10)	1	
2	SC480010	Pantograph drive pulley(Front)	1	
3	A9020221	Timing belt(B200S5M-1800) Aramid fiber	1	
4	HH481991	Timing pulley shaft	1	
5	SJ480090	V-pulley bracket	1	
6	MM480141	V-sensor plate(VT)	1	
7	MM480120	V-guide base plate(DTHE)	1	
8	MM480190	Rack spacer(V-side) DTHE	1	
9	HP482940	Timing belt set rack(5M)	2	
10	EP530241	V-sensor cable(VT-01C)	1	
11	EDY00270	Origin point sensor(GP1A75E)	2	
12	MM480131	V-sensor bracket(VT)	1	
13	MM480070	H-sensor plate(DTHE)	1	
14	SC480230	V-slide block plate	1	
15	MM480160	V-slide block R(DTHE)	1	
16	A9010114	Bearing(60/22ZZ)	2	
17	A9012447	Stop ring S-22	2	
18	MM480180	Ball spline IKO+pulley(S5M) wide20	1	
19	MM480170	V-slide block L(DTHE)	1	
51		Hex.bolt M4×25		
52		Hex.socket bolt M5×15(Black)		
53		Hex.nut M8		
54		Flush screw M3×6		
55		Flush screw M3×14		
56		Flush screw M4×6		
57		Truss screw M3×8		
58		Truss screw M4×14		
59		Hex.socket bolt M4×10		
60		Hex.socket bolt M4×12		
61		Truss screw M4×8		
62		Truss screw M3×4		

10H Pantograph drive H

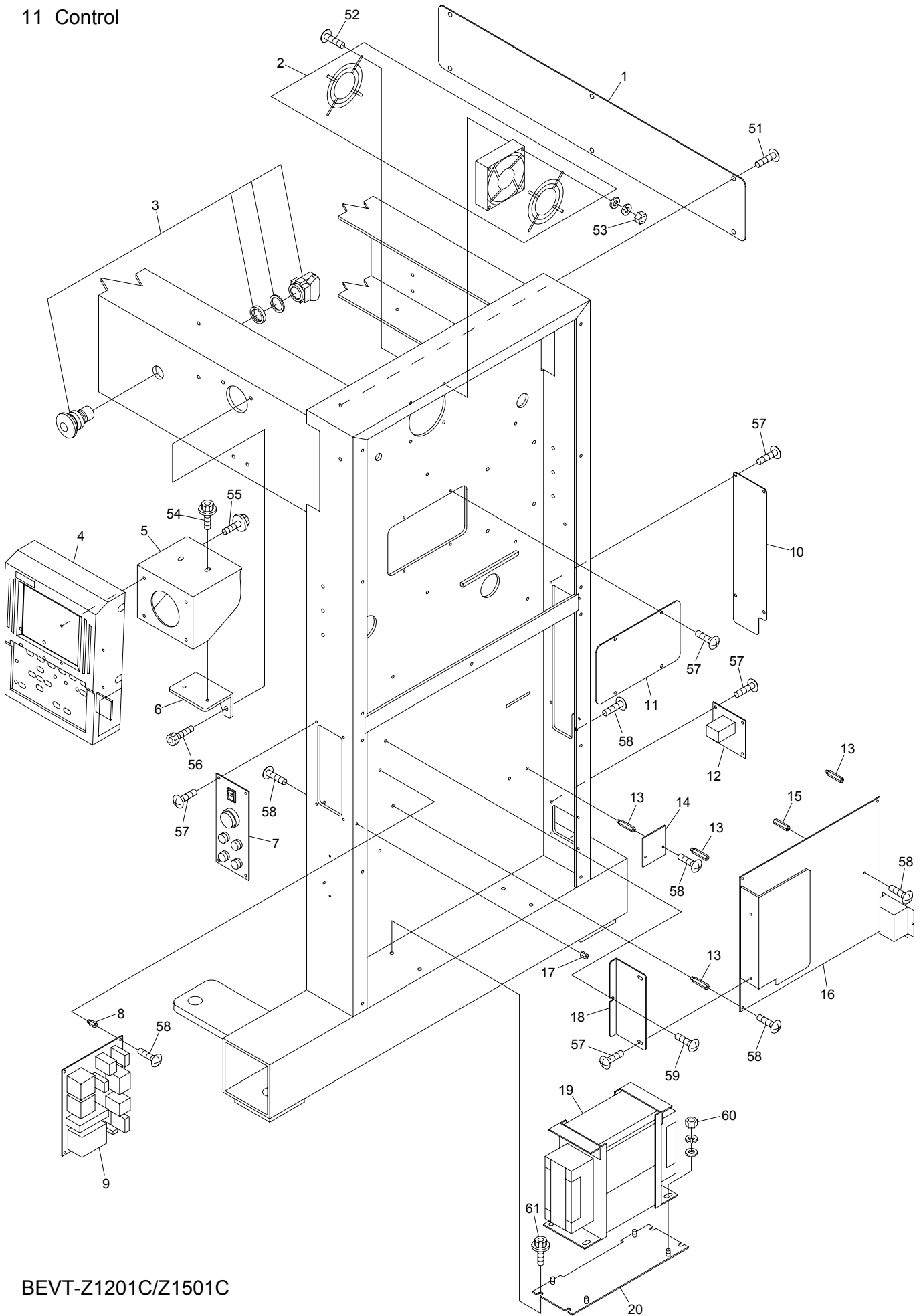


BEVT-Z1201C/Z1501C

10H Pantograph drive H

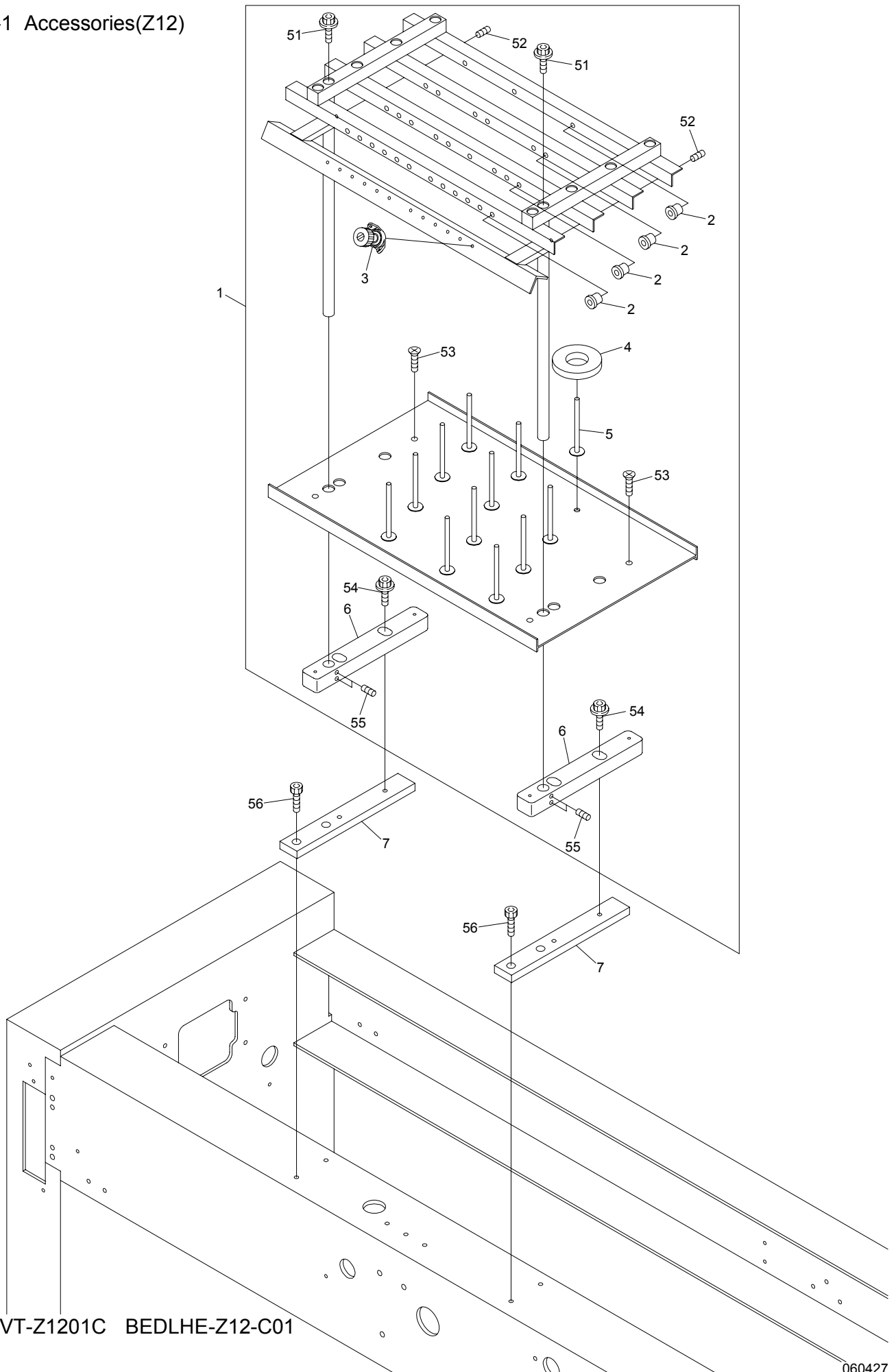
ITEM	LIST No.	DESCRIPTION	Q' TY	NOTE
1	EP530231	H-sensor cable(VT-01C)	1	
2	EDY00270	Origin point sensor(GP1A75E)	2	
3	MM480061	H-sensor bracket(VT)	1	
4	MM480250	V-pulse motor cover(DTHE)	1	
5	EDY00020	Pulse motor(DTHE)	1	
6	MM480260	V-motor coupling(DTHE)	1	
7	MM480230	V-pulse motor fixed plate(DTHE)	1	
8	MM480220	Stad bar(V-pulse motor)	4	
9	MM480210	Spline support plate(DTHE)	1	
10	A9010115	Bearing(6301ZZ)	1	
11	MM480200	Spline bearing bracket(DTHE)	1	
12	MM480240	V-motor back up bracket(DTHE)	1	
13	A9011271	Pillow unit(UCP201DE4)	1	
14	SC480070	Spline bearing bracket	1	
51		Hex.socket bolt M8×25(Black)		
52		Truss screw M3×8		
53		Truss screw M4×8		
54		Truss screw M5×8		
55		Hex.socket bolt M5×15(Black)		
56		Hex.socket bolt M5×18(Black)		
57		Hex.socket bolt M6×18		
58		Truss screw M4×5		
59		Hex.socket bolt M6×15(Chromate)		
60		Hex.socket bolt M5×12(Chromate)		

11 Control



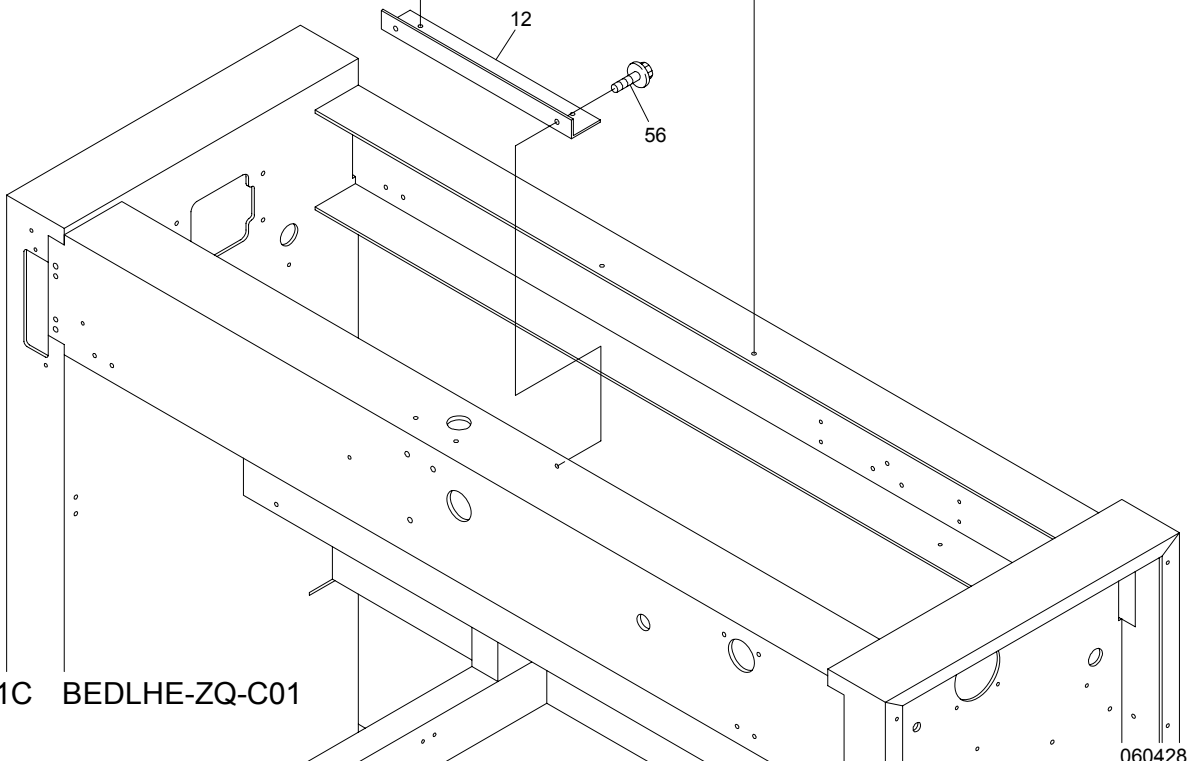
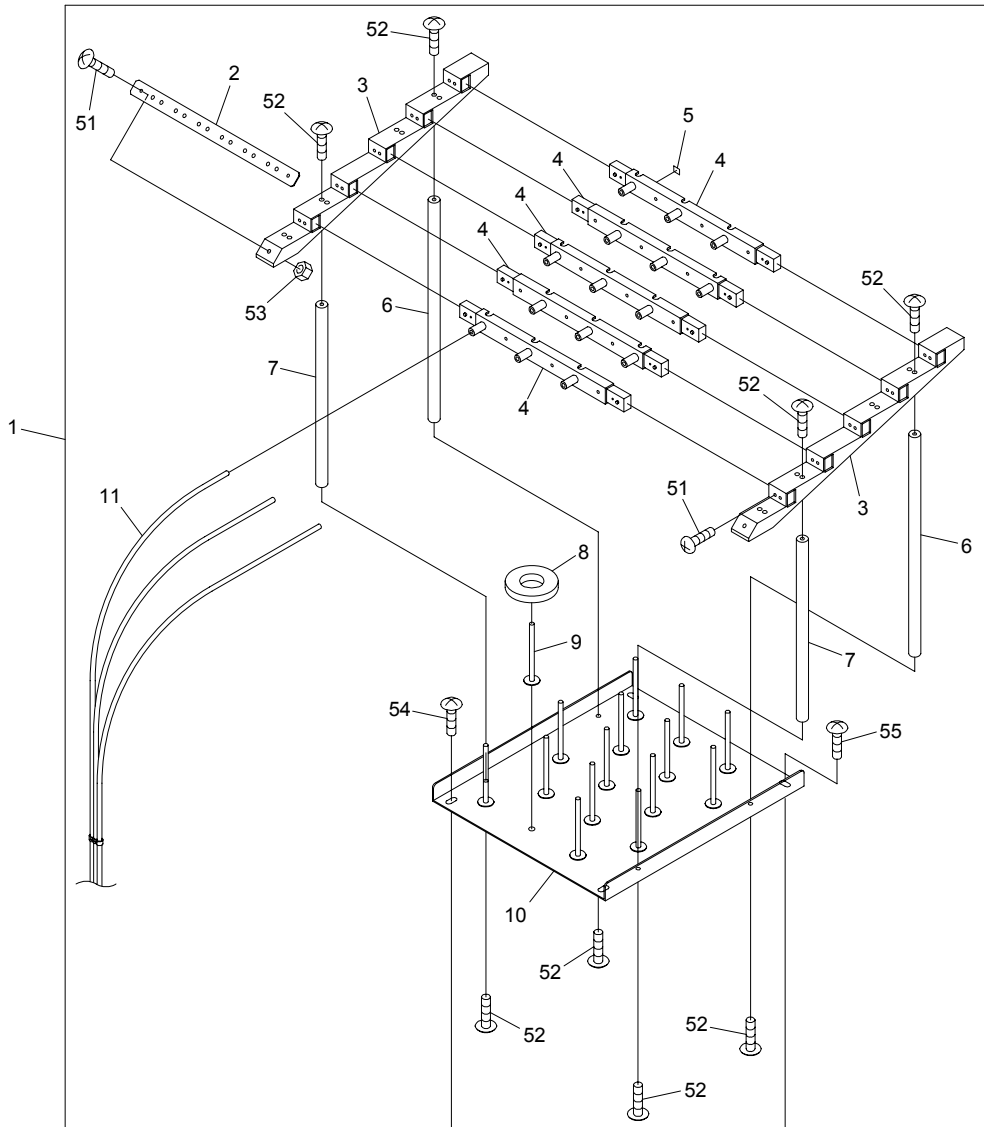
BEVT-Z1201C/Z1501C

12-1 Accessories(Z12)



BEVT-Z1201C BEDLHE-Z12-C01

12-2 Accessories(Z15)



BEVT-Z1501C BEDLHE-ZQ-C01

I N D E X

LIST No.	SECTION No.	ITEM	LIST No.	SECTION No.	ITEM
A 9 0 1 0 0 0 3	0 8	1	A 9 0 5 2 0 2 8	0 2 C	3
A 9 0 1 0 0 6 3	0 7	15	A 9 0 5 2 0 7 8	0 2 B	2
A 9 0 1 0 0 6 5	0 4 B	30	A 9 0 5 6 0 3 9	0 5	1
A 9 0 1 0 0 7 3	0 3	20	A 9 0 5 6 0 4 0	0 2 A	17
A 9 0 1 0 1 0 9	0 7	8	A 9 0 5 6 0 4 1	0 2 C	1
A 9 0 1 0 1 1 4	1 0 G	16	A 9 0 5 6 0 4 2	0 4 C	22
A 9 0 1 0 1 1 5	1 0 H	10	A 9 0 6 8 0 3 0	1 0 C	2
A 9 0 1 1 1 1 1	0 1 A	14	A 9 0 6 8 0 3 2	0 6 - 1	16
A 9 0 1 1 1 2 9	0 8	18	A 9 0 6 8 0 3 2	0 6 - 2	22
A 9 0 1 1 2 4 3	1 0 C	4	A 9 0 6 8 0 4 9	1 0 C	22
A 9 0 1 1 2 4 3	1 0 D	3	A 9 0 6 8 0 5 0	1 0 C	21
A 9 0 1 1 2 4 4	1 0 C	5	E A Y 0 8 1 A 3	1 1	19
A 9 0 1 1 2 4 4	1 0 D	2	E A Y 0 9 2 A 1	1 1	4
A 9 0 1 1 2 7 0	0 8	12	E B Y 0 1 7 1 0	1 1	3
A 9 0 1 1 2 7 1	1 0 H	13	E B Y 0 2 6 0 0	0 6 - 1	15
A 9 0 1 1 2 8 4	0 2 A	22	E B Y 0 2 6 1 0	0 6 - 2	18
A 9 0 1 1 2 8 5	0 7	10	E B Y 0 2 7 2 0	1 1	2
A 9 0 1 2 0 0 1	0 2 B	3	E B Y 0 2 8 4 1	1 1	16
A 9 0 1 2 0 2 7	0 1 A	25	E D Y 0 0 0 1 0	0 8	9
A 9 0 1 2 0 5 2	1 0 C	19	E D Y 0 0 0 2 0	1 0 E	6
A 9 0 1 2 0 5 2	1 0 D	17	E D Y 0 0 0 2 0	1 0 H	5
A 9 0 1 2 0 5 2	1 0 G	1	E D Y 0 0 0 4 0	1 1	12
A 9 0 1 2 0 6 3	0 8	3	E D Y 0 0 0 5 0	1 1	7
A 9 0 1 2 1 2 7	0 4 B	7	E D Y 0 0 0 6 0	1 1	9
A 9 0 1 2 1 2 7	0 4 C	18	E D Y 0 0 2 7 0	1 0 G	11
A 9 0 1 2 1 2 7	0 7	14	E D Y 0 0 2 7 0	1 0 H	2
A 9 0 1 2 3 6 8	0 4 B	21	E F Y 0 0 0 1 0	1 1	14
A 9 0 1 2 4 1 5	0 4 B	26	E P 5 3 0 2 3 1	1 0 H	1
A 9 0 1 2 4 2 1	0 3	21	E P 5 3 0 2 4 1	1 0 G	10
A 9 0 1 2 4 3 7	1 0 A	3	F A 9 9 9 0 5 2	0 6 - 1	22
A 9 0 1 2 4 3 7	1 0 B	9	F N 0 7 0 0 1 1 S N Y	0 4 A - 1	15
A 9 0 1 2 4 3 8	0 6 - 2	4	F N 0 7 0 0 1 1 S N Y	0 4 A - 2	14
A 9 0 1 2 4 4 7	1 0 G	17	FR92460434A520S	1 0 B	1
A 9 0 1 3 0 6 6	0 2 A	8	H B 2 3 0 0 7 0 C	0 3	23
A 9 0 1 3 0 7 0	0 0 B	3	H B 2 3 0 0 8 0 C	0 3	22
A 9 0 1 4 0 5 9	0 1 A	7	H B 2 3 0 2 0 0	0 4 B	11
A 9 0 1 4 1 6 1	0 0 A	10	H B 2 3 0 2 2 0	0 4 C	9
A 9 0 1 4 1 6 3	0 0 A	6	H B 2 3 0 2 6 1	0 4 C	8
A 9 0 1 4 1 6 6	0 4 C	15	H B 2 3 0 2 7 1	0 4 C	3
A 9 0 1 4 1 6 7	0 4 A - 1	21	H B 2 3 0 2 8 1	0 4 C	6
A 9 0 1 4 1 6 7	0 4 A - 2	26	H B 2 3 0 3 6 1	0 4 C	5
A 9 0 1 4 1 6 8	0 4 D	19	H B 2 3 0 6 2 0	0 3	25
A 9 0 1 9 0 7 7	0 0 A	14	H B 2 3 0 6 5 0	0 3	7
A 9 0 2 0 2 2 0	0 8	10	H B 2 3 0 8 0 0	0 3	10
A 9 0 2 0 2 2 1	1 0 G	3	H B 2 4 0 0 2 0	0 5	7

I N D E X

LIST No.	SECTION No.	ITEM	LIST No.	SECTION No.	ITEM
HB 2 4 0 0 3 0	0 5	8	HT 2 3 0 4 8 0	0 4 B	14
HB 2 4 0 0 4 1	0 5	9	HT 2 3 0 4 9 1	0 4 B	5
HH 4 8 1 9 8 0	1 0 C	12	HT 2 3 0 5 1 0	0 4 B	12
HH 4 8 1 9 8 0	1 0 D	9	HT 2 3 0 5 2 0	0 4 B	20
HH 4 8 1 9 9 1	1 0 C	17	HT 2 3 0 5 6 0	0 4 B	25
HH 4 8 1 9 9 1	1 0 D	14	HT 2 3 0 5 9 0	0 4 C	1
HH 4 8 1 9 9 1	1 0 G	4	HT 2 3 0 6 2 0	0 5	5
HM 1 4 0 1 2 0	0 0 B	4	HT 2 3 0 7 3 0	0 4 B	6
HM 2 7 0 0 0 0	0 2 A	25	HT 2 3 0 7 5 0	0 4 B	3
HP 2 4 1 4 3 0	1 2 - 1	3	HT 2 3 0 7 6 0	0 4 B	10
HP 3 2 1 0 9 0	0 1 A	13	HT 2 4 0 1 0 1	0 6 - 1	14
HP 3 2 1 7 1 0 C	0 1 B	5	HT 2 4 0 1 0 1	0 6 - 2	10
HP 3 2 1 7 2 0 C	0 1 B	1	HT 2 4 0 1 8 0	0 6 - 1	18
HP 4 8 2 2 6 0	0 2 B	5	HT 2 4 0 1 8 0	0 6 - 2	11
HP 4 8 2 9 4 0	1 0 C	15	HT 2 4 0 2 9 0	0 6 - 1	4
HP 4 8 2 9 4 0	1 0 D	12	HT 2 4 0 2 9 0	0 6 - 2	7
HP 4 8 2 9 4 0	1 0 G	9	HT 2 4 0 4 8 0	1 2 - 1	2
HS 2 1 0 0 2 0	0 1 A	1	HT 2 4 0 4 9 0	1 2 - 1	2
HS 2 1 0 0 2 1	0 1 A	1	HT 2 7 0 0 6 3	0 4 D	11
HS 2 1 0 0 3 1	0 1 A	24	HT 2 7 0 1 8 2	0 2 A	3
HS 2 1 0 0 4 2	0 1 A	11	HT 7 1 0 0 0 0	1 2 - 1	5
HS 2 1 0 0 5 1	0 2 A	13	HT 7 1 0 0 0 0	1 2 - 2	9
HS 2 1 0 0 6 0	0 2 A	18	KC 2 5 0 4 8 2	0 1 A	19
HS 2 1 0 0 7 0	0 2 A	16	KC 2 7 0 1 0 1	0 4 C	21
HS 2 1 0 0 8 0	0 2 A	21	KC 2 7 1 0 0 1	0 2 A	15
HS 2 1 0 0 9 0	0 2 A	23	KC 2 7 1 9 4 0 C	0 2 A	20
HS 2 1 0 1 0 0	0 2 A	12	KF 2 2 0 2 3 0	0 1 A	3
HS 2 1 0 1 1 1	0 2 A	10	KF 2 2 0 2 4 0	0 1 A	20
HS 2 1 0 1 2 1	0 2 A	11	KF 2 2 0 2 9 0	0 1 A	2
HS 2 1 0 3 0 0	0 2 A	14	KF 2 2 0 3 0 2	0 1 A	23
HS 2 2 0 0 1 0	0 1 A	4	KF 2 2 0 4 2 1	0 1 A	22
HT 2 2 0 0 6 1	0 1 A	5	KF 2 2 0 5 3 0	0 1 A	22
HT 2 3 0 1 2 0	0 4 A - 1	11	KF 2 2 0 7 0 0	0 1 A	21
HT 2 3 0 1 2 0	0 4 A - 2	10	KF 2 2 1 0 2 0	0 1 A	23
HT 2 3 0 2 2 0	0 5	4	KF 2 2 1 0 4 0	0 1 A	21
HT 2 3 0 2 6 3	0 4 A - 1	7	KF 2 3 0 5 0 1	0 3	5
HT 2 3 0 2 6 3	0 4 A - 2	6	KF 2 3 0 5 3 0	0 4 B	8
HT 2 3 0 2 8 0	0 4 B	24	KF 2 3 0 6 8 0	0 3	6
HT 2 3 0 2 9 0	0 4 B	19	KF 2 3 0 9 1 0	0 4 A - 1	10
HT 2 3 0 3 3 0	0 4 A - 1	6	KF 2 3 0 9 1 0	0 4 A - 2	9
HT 2 3 0 3 3 0	0 4 A - 2	5	KF 7 1 0 3 9 0	1 2 - 1	4
HT 2 3 0 3 4 0	0 4 B	18	KF 7 1 0 3 9 0	1 2 - 2	8
HT 2 3 0 4 1 0	0 4 C	7	KF 7 3 0 7 5 0	1 0 A	2
HT 2 3 0 4 5 0	0 4 B	9	KF 7 3 0 7 6 0	1 0 A	1
HT 2 3 0 4 7 1	0 4 B	4	KL 2 2 0 1 4 0	0 1 A	8

I N D E X

LIST No.	SECTION No.	ITEM	LIST No.	SECTION No.	ITEM
KL 2 7 0 0 9 1	0 2 C	8	MM 1 2 0 0 1 0	0 0 B	1
KL 2 7 0 1 0 1	0 2 C	9	MM 1 4 0 0 0 1	0 0 B	7
KL 2 7 0 1 2 0 C	0 2 C	11	MM 1 6 0 0 0 1	0 0 A	5
KL 2 7 0 1 3 1 C	0 2 C	10	MM 1 6 0 0 7 1	0 0 A	5
KL 2 7 0 2 6 0 C	0 2 C	2	MM 2 4 0 0 1 0	0 6 - 2	17
KL 2 7 0 4 5 0	0 2 C	7	MM 2 4 0 0 3 0	0 6 - 1	12
KN 2 7 1 5 6 0 C	0 2 A	24	MM 2 5 0 0 1 0	1 1	1
KN 2 7 2 0 1 0	0 2 A	9	MM 2 5 0 0 2 0	1 0 C	1
KN 2 7 2 4 0 1	0 2 A	19	MM 2 5 0 0 4 1	1 1	10
KN 2 7 2 4 0 1	0 2 C	5	MM 2 5 0 0 5 0	1 1	11
KN 2 7 2 4 0 1	1 0 F	7	MM 2 7 0 0 0 0	0 4 C	13
KN 5 4 0 5 1 0	0 6 - 1	13	MM 2 7 0 0 2 0	0 2 B	7
KN 5 4 0 5 1 0	0 6 - 2	9	MM 2 7 0 0 3 0	0 2 B	6
KV 2 3 0 0 4 0	0 4 A - 1	5	MM 2 7 0 0 4 0	0 2 B	4
KV 2 3 0 0 4 0	0 4 A - 2	4	MM 2 7 0 0 5 0	0 2 B	8
KX 2 3 0 1 4 1	0 4 A - 1	18	MM 2 7 0 0 6 0	0 2 B	1
KX 2 3 0 1 4 1	0 4 A - 2	23	MM 3 1 0 0 0 0	0 8	19
KX 2 3 0 1 5 2	0 4 A - 1	17	MM 3 1 0 0 1 0	0 8	14
KX 2 3 0 1 5 2	0 4 A - 2	22	MM 3 1 0 0 2 0	0 8	16
KX 2 5 0 0 8 0	0 1 A	9	MM 3 1 0 0 3 0	0 8	11
KX 2 5 0 0 8 0	0 2 A	2	MM 3 1 0 0 4 0	0 8	7
KX 2 7 0 0 0 0	0 2 A	26	MM 3 1 0 0 5 0	0 8	17
KX 2 7 0 0 1 0	0 2 A	6	MM 3 1 0 0 6 0	0 8	8
KX 2 7 0 0 7 0	0 2 C	12	MM 3 1 0 0 7 0	0 8	13
KX 2 7 0 4 3 0	0 2 A	27	MM 3 1 0 0 8 0	0 8	20
KX 3 3 0 1 6 0	0 7	16	MM 3 1 0 0 9 0	0 8	15
LA 2 3 0 1 4 0	0 4 B	28	MM 3 1 0 1 0 0	0 1 B	2
LA 2 7 0 0 8 0	0 2 C	15	MM 3 3 0 0 1 0	0 7	18
LA 7 3 0 5 9 0	1 0 B	6	MM 3 3 0 0 2 0	0 7	9
LA 7 3 0 6 1 0	1 0 B	4	MM 3 3 0 0 3 0	0 7	4
LA 7 3 0 6 3 0	1 0 B	5	MM 3 3 0 0 4 0	0 7	2
LA 7 3 0 6 5 0	1 0 B	3	MM 3 3 0 0 5 0	0 7	1
MF 5 1 0 0 0 0	0 1 B	3	MM 3 3 0 0 7 0	0 7	18
MF 5 1 0 0 1 0	0 7	12	MM 3 3 0 0 8 0	0 7	17
MF 5 1 0 0 2 0	0 2 B	9	MM 4 8 0 0 0 0	1 0 E	3
MG 3 3 0 0 1 0	0 7	17	MM 4 8 0 0 1 0	1 0 E	5
MG 3 3 0 0 3 0	0 7	7	MM 4 8 0 0 2 0	1 0 E	7
MG 3 3 0 0 4 0	0 7	6	MM 4 8 0 0 3 0	1 0 E	2
MG 3 3 0 0 7 0	0 7	13	MM 4 8 0 0 4 0	1 0 E	1
MG 3 3 0 0 8 0	0 7	11	MM 4 8 0 0 5 0	1 0 C	20
MG 3 3 0 0 9 0	0 7	3	MM 4 8 0 0 6 1	1 0 H	3
MG 3 3 0 1 1 0	0 7	5	MM 4 8 0 0 7 0	1 0 G	13
MH 2 3 0 1 6 1	0 5	3	MM 4 8 0 0 8 0	1 0 F	8
MK 2 3 0 0 8 0	0 4 C	12	MM 4 8 0 0 9 0	1 0 F	6
MM 1 2 0 0 0 1	0 0 B	2	MM 4 8 0 1 0 0	1 0 F	5

I N D E X

LIST No.	SECTION No.	ITEM	LIST No.	SECTION No.	ITEM
MM 4 8 0 1 1 0	1 0 F	4	RD 2 3 0 1 3 0	0 3	9
MM 4 8 0 1 2 0	1 0 G	7	RD 2 3 0 1 5 0	0 4 B	2
MM 4 8 0 1 3 1	1 0 G	12	RD 2 3 0 2 0 1	0 4 A - 1	19
MM 4 8 0 1 4 1	1 0 G	6	RD 2 3 0 2 0 1	0 4 A - 2	24
MM 4 8 0 1 5 0	1 0 F	1	RD 2 3 0 2 5 0	0 5	6
MM 4 8 0 1 6 0	1 0 G	15	RD 2 3 0 3 7 0	0 4 A - 1	9
MM 4 8 0 1 7 0	1 0 G	19	RD 2 3 0 3 7 0	0 4 A - 2	8
MM 4 8 0 1 8 0	1 0 G	18	RD 2 3 0 4 8 0	0 4 A - 1	2
MM 4 8 0 1 9 0	1 0 G	8	RD 2 3 0 4 8 0	0 4 A - 2	1
MM 4 8 0 2 0 0	1 0 H	11	RD 2 3 0 4 9 0	0 4 A - 1	3
MM 4 8 0 2 1 0	1 0 H	9	RD 2 3 0 4 9 0	0 4 A - 2	2
MM 4 8 0 2 2 0	1 0 H	8	RD 2 4 0 1 5 4	0 6 - 1	6
MM 4 8 0 2 3 0	1 0 H	7	RD 2 4 0 1 5 4	0 6 - 2	5
MM 4 8 0 2 4 0	1 0 H	12	RD 2 4 0 2 7 1	0 4 D	5
MM 4 8 0 2 5 0	1 0 H	4	RD 2 7 0 0 2 0	0 2 C	14
MM 4 8 0 2 6 0	1 0 H	6	RD 2 7 0 0 4 0	0 2 C	13
MM 4 8 0 2 7 0	1 0 E	7	RD 7 1 0 3 3 0	1 2 - 2	4
MM 4 8 0 2 8 0	1 0 E	1	RD 7 1 0 3 4 0	1 2 - 2	3
MM 4 8 0 3 1 0	1 0 F	1	RD 7 1 0 3 5 1	1 2 - 2	7
MM 5 1 0 0 2 0	1 1	13	RD 7 1 0 3 6 1	1 2 - 2	6
MM 5 1 0 0 3 0	1 1	8	RD 7 1 0 3 7 0	1 2 - 2	2
MM 5 1 0 0 4 0	1 1	20	RD 7 1 0 3 8 0	1 2 - 2	5
MM 5 1 0 0 5 0	1 1	18	RH 2 3 0 2 7 1	0 3	28
MM 5 1 0 0 6 0	1 1	5	RH 2 3 0 2 8 0	0 3	27
MM 5 1 0 0 7 0	1 1	6	RH 2 3 0 3 0 0	0 3	26
MM 5 1 0 0 8 0	1 1	15	RH 2 3 0 3 1 1	0 3	3
MM 5 1 0 0 9 0	1 1	17	RH 2 3 0 3 2 0	0 3	13
MM 7 1 0 0 0 0	1 2 - 2	12	RH 2 3 0 3 3 0	0 3	29
MM 7 1 0 0 1 0	1 2 - 1	1	RH 2 3 0 4 1 0	0 4 A - 1	4
MM 7 3 0 0 0 0	1 0 A	6	RH 2 3 0 4 1 0	0 4 A - 2	3
MM 7 3 0 0 1 0	1 0 A	7	RH 2 3 0 4 4 0	0 4 A - 1	12
MQ 2 4 0 0 0 0	0 6 - 2	12	RH 2 3 0 4 4 0	0 4 A - 2	11
MQ 2 4 0 0 1 0	0 6 - 1	7	RH 2 3 0 4 5 0	0 4 A - 1	14
MQ 2 5 0 0 0 0	0 8	21	RH 2 3 0 4 5 0	0 4 A - 2	13
PF 2 4 0 0 1 0	0 6 - 1	10	RH 2 3 0 4 6 0	0 4 A - 1	13
PF 2 5 0 0 0 0	0 4 D	4	RH 2 3 0 4 6 0	0 4 A - 2	12
PG 2 4 0 0 1 0	0 6 - 2	13	RH 2 3 0 5 4 0	0 4 B	23
PG 2 4 0 0 3 0	0 6 - 2	25	RH 2 3 0 5 5 0	0 4 B	22
PG 2 4 0 0 4 0	0 6 - 2	3	RH 2 3 0 6 1 0	0 3	11
PG 2 5 0 0 0 0	0 4 D	4	RH 2 3 0 8 0 1	0 3	2
PN 2 4 0 0 1 0	0 6 - 1	1	RH 2 3 0 8 1 0	0 3	4
PP 2 4 0 0 1 0	0 6 - 2	21	RN 2 3 0 0 1 0	0 3	16
PP 7 1 0 0 0 0	1 2 - 2	1	RN 2 3 0 0 2 0 C	0 3	18
RA 4 8 0 4 3 0	1 0 E	6	RN 2 3 0 0 3 0	0 3	17
RD 2 3 0 0 6 0	0 4 A - 2	18	RN 2 3 0 0 4 0	0 3	19

I N D E X

LIST No.	SECTION No.	ITEM	LIST No.	SECTION No.	ITEM
RP 4 8 0 2 0 1	1 0 C	11	SC 3 1 0 1 5 0	0 8	6
RP 4 8 0 2 0 1	1 0 D	15	SC 4 8 0 0 1 0	1 0 C	18
RQ 3 1 0 0 0 0	0 8	2	SC 4 8 0 0 1 0	1 0 D	16
RR 2 3 0 0 8 0	0 4 C	4	SC 4 8 0 0 1 0	1 0 G	2
RR 2 3 0 0 9 0	0 4 C	2	SC 4 8 0 0 2 0	1 0 C	14
RR 2 4 0 3 0 0	0 6 - 2	8	SC 4 8 0 0 2 0	1 0 D	11
RR 2 4 0 3 0 0 C	0 6 - 1	3	SC 4 8 0 0 4 0	1 0 C	10
RR 2 4 0 3 3 0	0 6 - 1	17	SC 4 8 0 0 4 0	1 0 D	8
RR 2 4 0 3 3 0	0 6 - 2	20	SC 4 8 0 0 7 0	1 0 H	14
RR 2 4 0 5 1 0	0 6 - 1	5	SC 4 8 0 0 9 0	1 0 D	19
RR 2 4 0 5 1 0	0 6 - 2	6	SC 4 8 0 1 2 0	1 0 C	24
RV 2 3 0 0 6 0	0 3	8	SC 4 8 0 1 3 0	1 0 D	18
RV 2 3 0 0 7 0	0 3	1	SC 4 8 0 2 1 0	1 0 C	7
RV 2 3 0 1 8 0	0 4 A - 2	29	SC 4 8 0 2 1 0	1 0 D	5
RV 2 4 0 0 4 0	0 6 - 2	14	SC 4 8 0 2 3 0	1 0 G	14
RV 2 4 0 0 5 0	0 6 - 2	15	SC 4 8 0 3 3 0	1 0 C	3
RV 2 4 0 0 7 1	0 6 - 2	24	SC 4 8 0 3 3 0	1 0 D	1
RV 2 4 0 0 8 1	0 6 - 2	23	SC 4 8 0 8 3 0	1 0 F	9
RV 2 4 0 0 9 1	0 6 - 2	16	SC 4 8 1 1 2 0	1 0 F	2
RV 2 4 0 1 0 0	0 6 - 2	1	SC 4 8 1 1 3 0	1 0 F	3
RV 2 4 0 1 1 0	0 6 - 2	2	SC 7 1 0 0 1 0	1 2 - 2	10
RV 2 4 0 1 8 0	0 6 - 2	19	SC 7 3 0 0 3 0	1 0 A	5
RV 2 5 0 0 7 0	0 4 D	1	SC 7 3 0 0 4 1	1 0 A	4
RV 7 1 0 0 5 0	1 2 - 2	11	SC 7 3 0 0 9 2	1 0 B	2
SC 1 4 0 0 2 0	0 0 B	11	SC 7 3 0 1 0 2	1 0 B	7
SC 1 4 0 0 3 0	0 0 B	10	SC 7 3 0 1 1 1	1 0 B	8
SC 1 4 0 0 9 0	0 0 B	5	SG 2 3 0 0 0 0	0 4 B	17
SC 1 4 0 1 2 0	0 0 A	8	SG 2 3 0 0 3 1	0 4 B	16
SC 1 4 0 1 3 0	0 0 A	3	SG 2 3 0 0 4 0	0 4 A - 1	20
SC 1 4 0 1 4 0	0 0 B	6	SG 2 3 0 0 6 0	0 4 A - 1	27
SC 1 4 0 1 6 0	0 0 A	9	SG 2 3 0 0 7 0	0 4 A - 1	22
SC 1 4 0 1 7 0	0 0 A	7	SG 2 3 0 1 1 0	0 4 A - 1	28
SC 1 6 0 0 1 0	0 0 A	15	SG 2 3 0 1 4 0	0 4 A - 1	24
SC 1 6 0 0 2 0	0 0 A	16	SG 2 3 0 1 5 0	0 4 A - 1	23
SC 1 6 0 0 3 0	0 0 A	17	SG 2 3 0 1 6 0	0 4 D	2
SC 2 1 0 0 0 0	0 1 A	15	SG 2 3 0 1 7 0	0 4 B	1
SC 2 1 0 0 1 0	0 0 B	8	SG 2 3 0 1 8 0	0 4 B	13
SC 2 1 0 0 1 0	0 1 A	16	SG 2 3 0 1 9 0	0 4 B	15
SC 2 5 0 0 4 0	1 0 C	8	SG 2 3 0 2 0 0	0 4 A - 1	25
SC 2 5 0 0 4 0	1 0 D	6	SG 2 3 0 2 0 0	0 4 A - 2	20
SC 2 5 0 0 7 0	1 0 C	9	SG 2 3 0 2 1 0	0 4 C	11
SC 2 5 0 0 7 0	1 0 D	7	SG 2 3 0 2 2 0	0 4 A - 1	8
SC 2 5 0 0 8 0	0 1 B	4	SG 2 3 0 2 2 0	0 4 A - 2	7
SC 3 1 0 0 2 1	0 8	4	SG 2 3 0 2 3 0	0 4 A - 1	16
SC 3 1 0 0 3 0	0 8	5	SG 2 3 0 2 3 0	0 4 A - 2	21

I N D E X

LIST No.	SECTION No.	ITEM	LIST No.	SECTION No.	ITEM
SG 2 3 0 2 6 0	0 5	2	S J 1 6 0 0 4 0	0 0 A	4
SG 2 3 0 2 7 0	0 4 C	10	S J 2 1 0 0 4 0	0 2 A	18
SG 2 3 0 2 8 0	0 4 D	3	S J 2 1 0 0 8 0	0 1 A	18
SG 2 3 0 3 0 0	0 4 B	29	S J 2 1 0 0 9 0	0 1 A	17
SG 2 3 0 3 3 0	0 4 A - 1	1	S J 2 1 0 1 2 0	0 1 A	10
SG 2 3 0 3 4 0	0 3	24	S J 2 1 0 1 5 0	0 1 A	17
SG 2 3 0 3 5 0	0 3	15	S J 2 2 0 0 1 0	0 1 A	6
SG 2 3 0 3 6 0	0 4 A - 1	26	S J 2 5 0 2 4 0	0 3	30
SG 2 3 0 3 9 0	0 4 A - 1	30	S J 2 7 0 0 2 0	0 2 A	4
SG 2 3 0 4 1 0	0 4 A - 1	29	S J 2 7 0 0 3 0	0 2 A	7
SG 2 4 0 0 0 0	0 4 D	5	S J 2 7 0 0 4 0	0 2 A	5
SG 2 4 0 0 4 0	0 6 - 1	2	S J 2 7 0 1 1 0	0 2 A	28
SG 2 4 0 0 5 0	0 6 - 1	8	S J 2 7 0 1 2 1	0 2 A	1
SG 2 4 0 0 6 0	0 6 - 1	9	S J 3 2 0 0 1 0	0 1 A	12
SG 2 4 0 0 8 0	0 6 - 1	19	S J 4 8 0 0 0 0	1 0 C	13
SG 2 4 0 0 9 0	0 6 - 1	21	S J 4 8 0 0 0 0	1 0 D	10
SG 2 4 0 1 0 0	0 6 - 1	20	S J 4 8 0 0 1 0	1 0 C	6
SG 2 4 0 1 1 0	0 6 - 1	11	S J 4 8 0 0 1 0	1 0 D	4
SG 2 5 0 0 6 0	0 4 D	17	S J 4 8 0 0 2 0	1 0 C	23
SG 2 7 0 0 0 0	0 4 D	10	S J 4 8 0 0 2 0	1 0 D	20
SG 2 7 0 0 1 0	0 4 D	7	S J 4 8 0 0 8 1	1 0 C	16
SG 2 7 0 0 3 0	0 2 C	15	S J 4 8 0 0 8 1	1 0 D	13
SG 2 7 0 0 4 0	0 2 C	13	S J 4 8 0 0 9 0	1 0 G	5
SG 2 7 0 0 5 0	0 4 C	14	SK 7 1 0 0 0 0	1 2 - 1	6
SG 2 7 0 0 6 0	0 4 C	16	SL 2 1 0 0 8 1	0 3	14
SG 2 7 0 0 7 0	0 4 C	17	SL 2 3 0 0 1 1	0 4 A - 2	16
SG 2 7 0 0 8 1	0 2 C	4	SL 2 3 0 0 2 1	0 4 A - 2	17
SG 2 7 0 0 9 0	0 2 C	6	SL 2 3 0 0 3 1	0 4 A - 2	19
SG 2 7 0 1 0 0	0 2 C	14	SL 2 3 0 0 4 0	0 4 A - 2	25
SG 2 7 0 1 1 0	0 4 C	20	SL 2 3 0 0 7 0	0 4 A - 2	15
SG 2 7 0 1 2 0	0 4 C	19	SL 2 3 0 0 8 0	0 4 A - 2	27
SG 2 7 0 1 3 0	0 4 D	9	SL 2 3 0 0 9 0	0 4 A - 2	28
SG 2 7 0 1 4 0	0 4 D	8	SL 2 3 0 1 3 0	0 3	12
SG 2 7 0 1 5 0	0 4 D	13	SL 2 3 0 1 4 0	0 4 A - 2	30
SG 2 7 0 1 6 0	0 4 D	14	SL 2 3 0 1 8 0	0 4 B	27
SG 2 7 0 1 7 0	0 4 D	6	SL 2 5 0 0 8 1	0 4 D	16
SG 2 7 0 1 8 0	0 4 D	12	SL 2 5 0 0 9 1	0 4 D	18
SH 7 1 0 0 1 0	1 2 - 1	7	SL 2 5 0 2 3 0	0 4 D	20
S J 1 4 0 0 0 0	0 0 B	12	SL 2 7 0 0 0 0	0 4 D	6
S J 1 4 0 0 1 0	0 0 B	9	SL 2 7 0 0 1 0	0 4 D	7
S J 1 4 0 0 4 0	0 0 A	2	SL 2 7 0 0 2 0	0 4 D	14
S J 1 4 0 0 5 0	0 0 A	1	SL 2 7 0 0 3 0	0 4 D	13
S J 1 4 0 1 2 0 C	0 0 A	11	SL 2 7 0 0 4 0	0 4 D	15
S J 1 4 0 1 3 0	0 0 A	12	WC 3 2 0 2 3 0	1 0 E	4
S J 1 4 0 2 2 0	0 0 A	13			